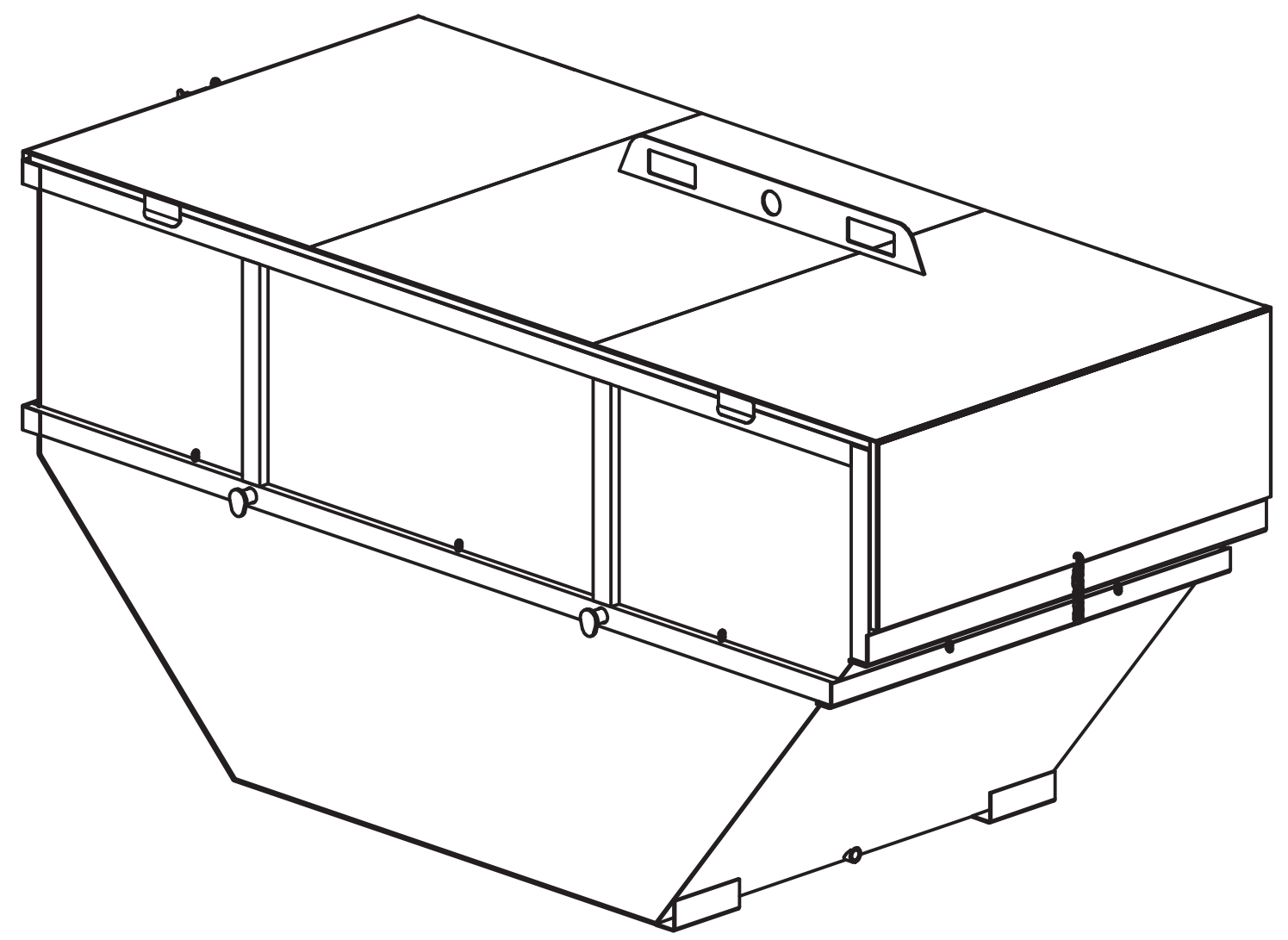
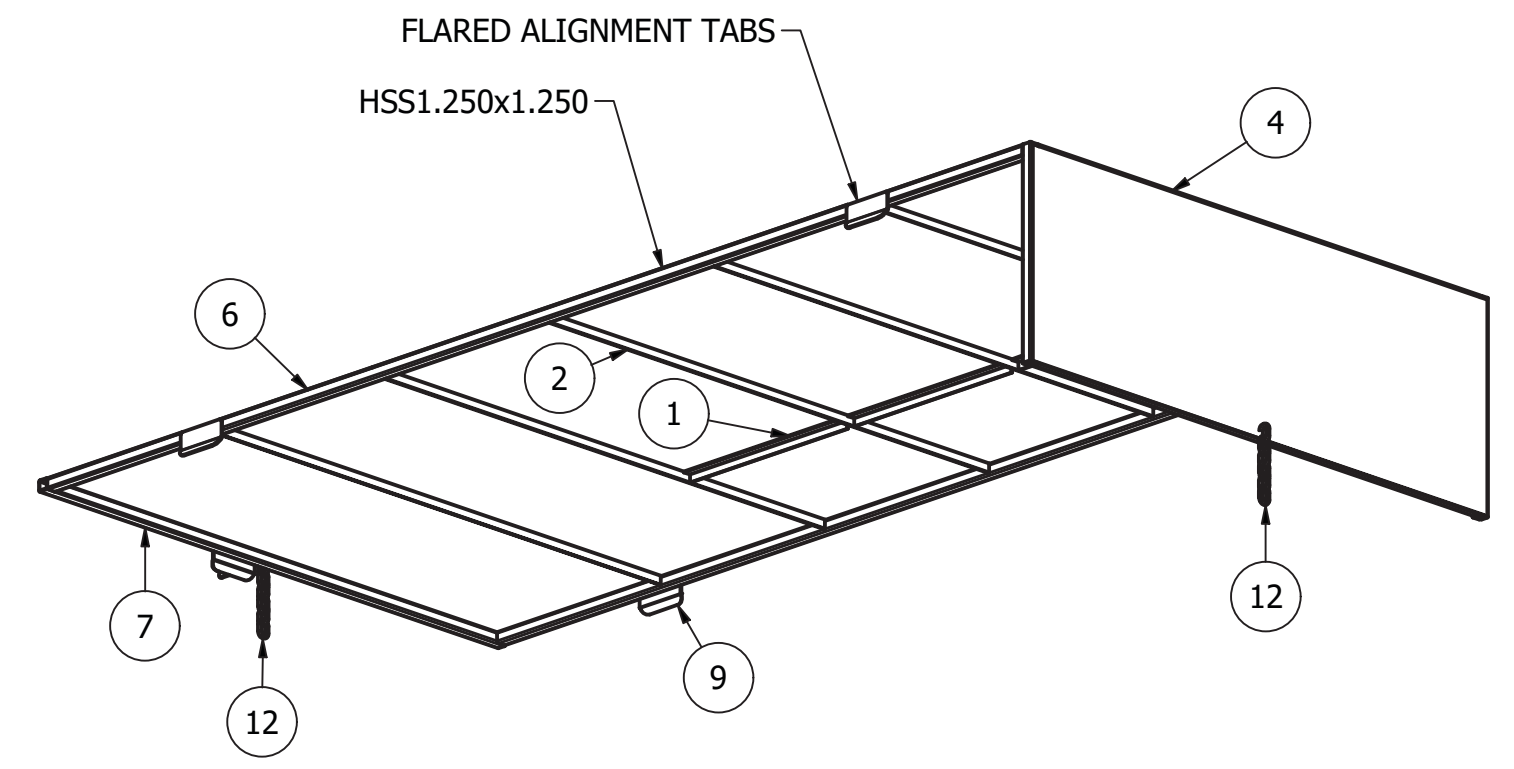
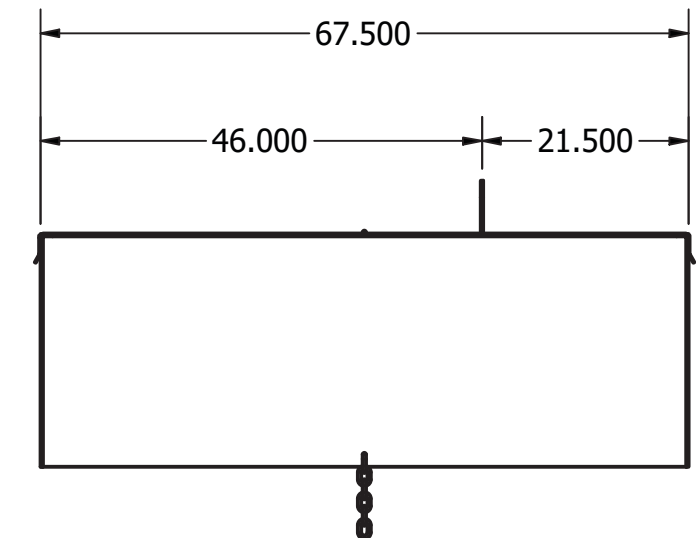
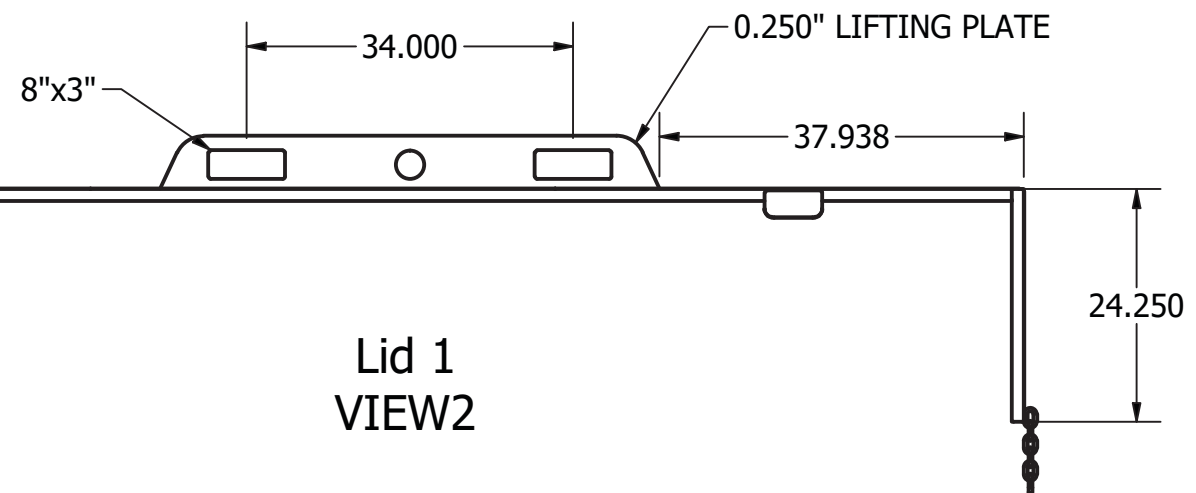
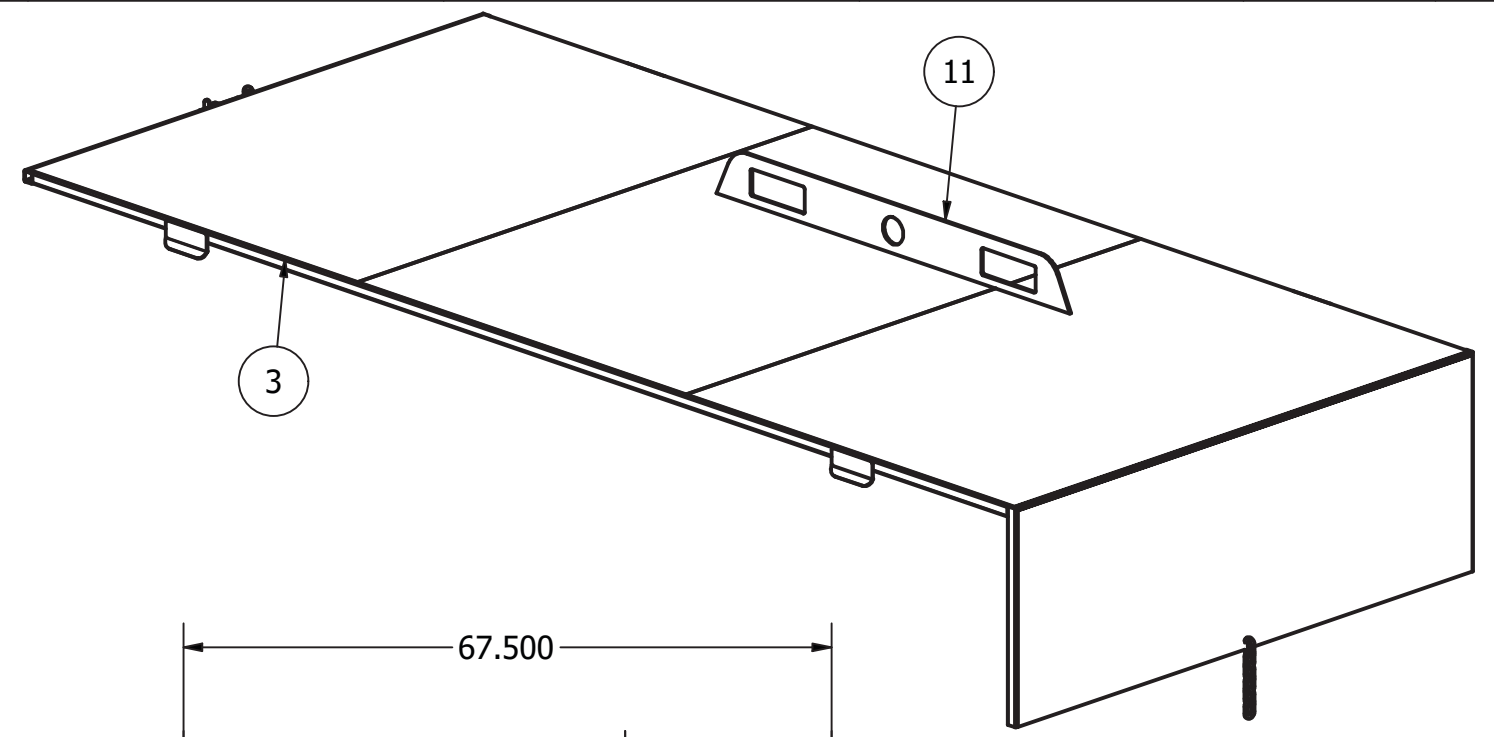
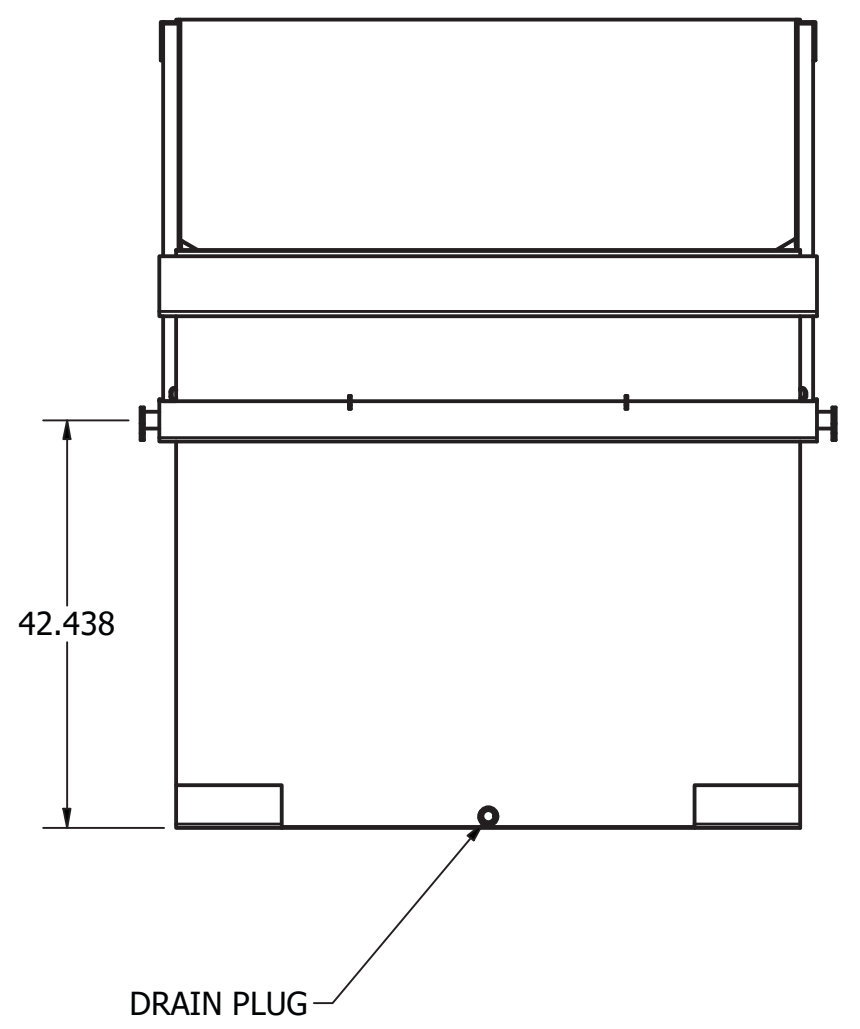
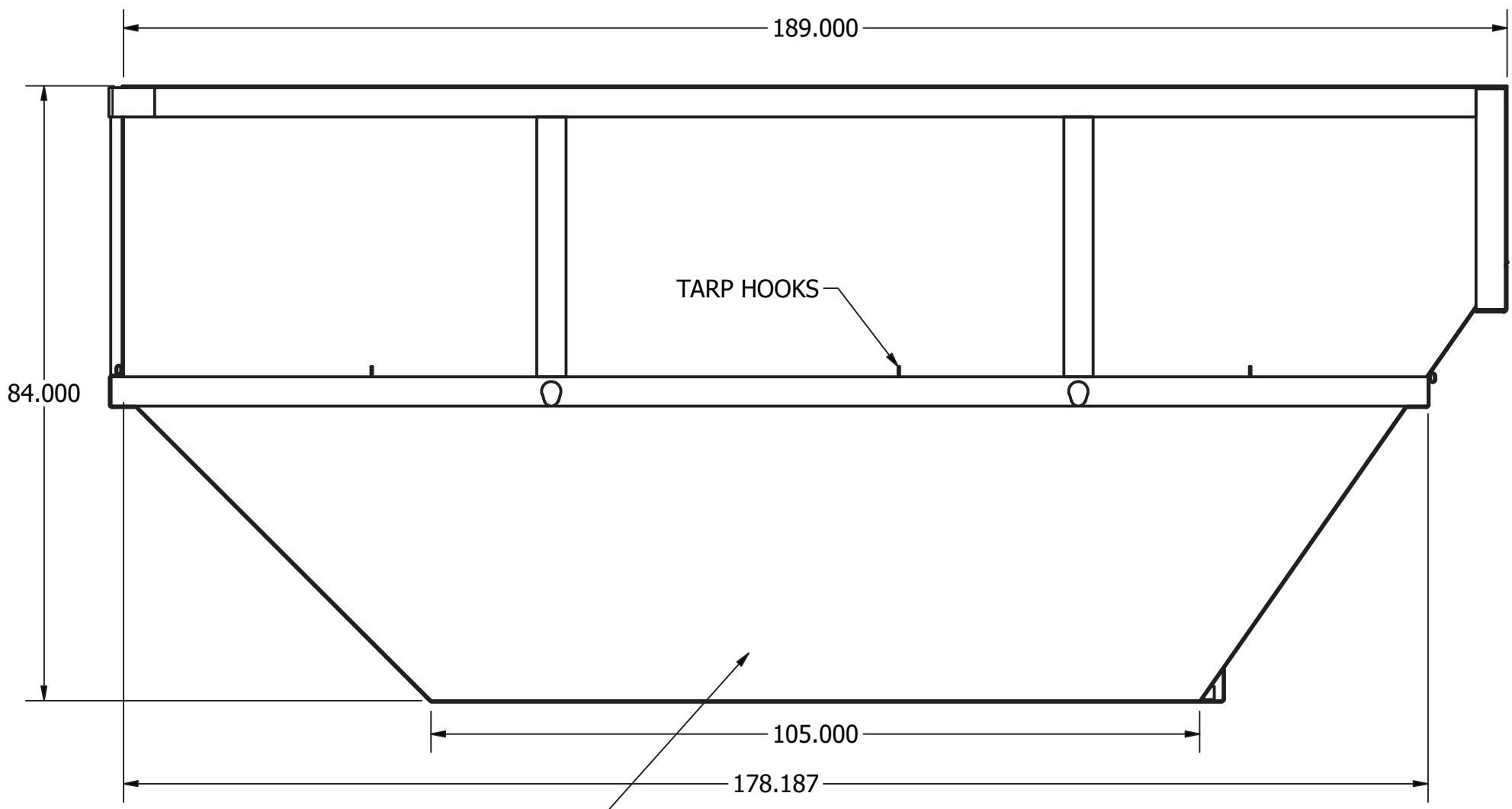
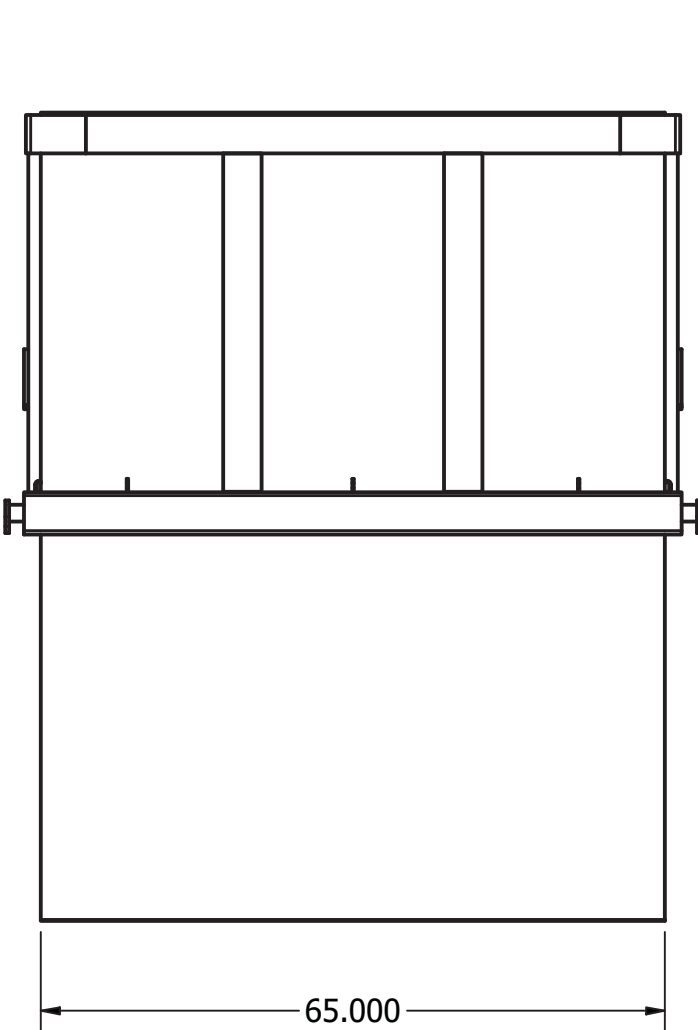
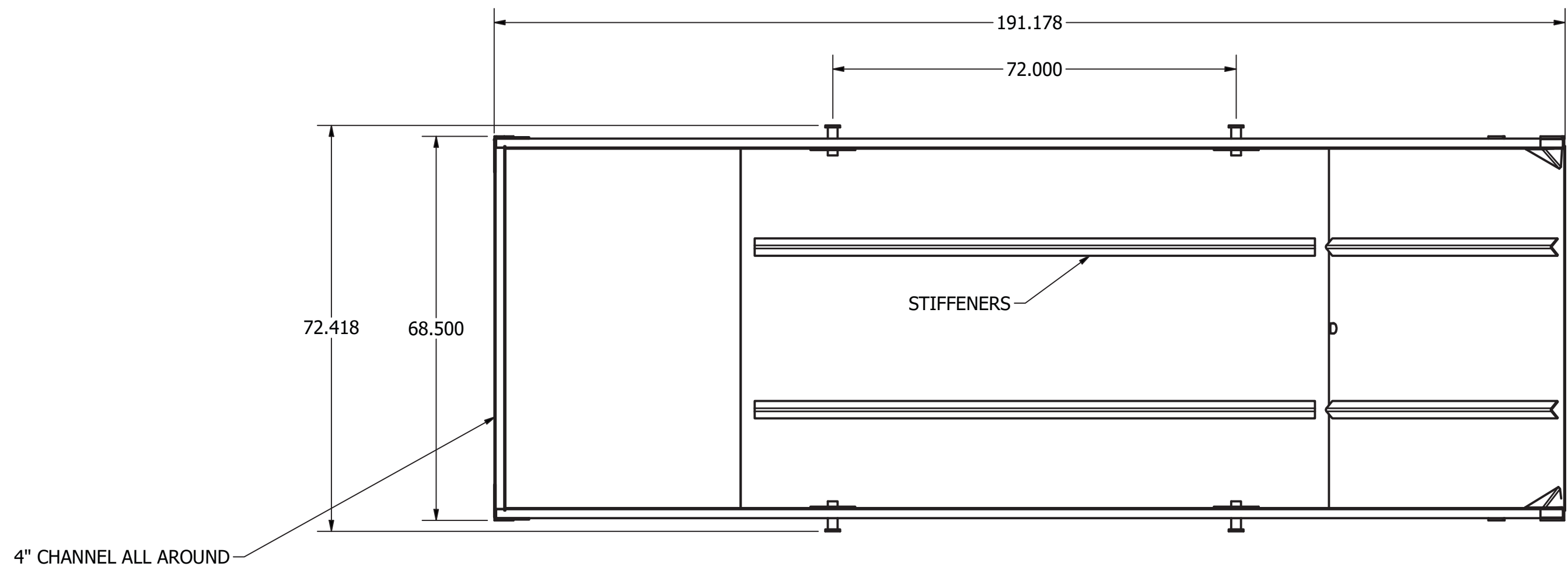
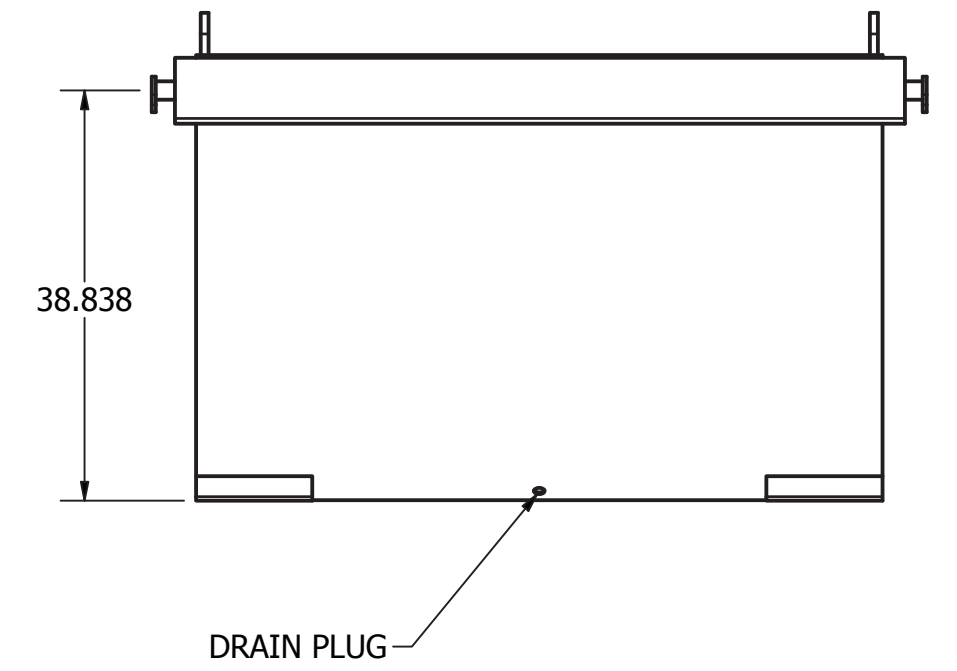
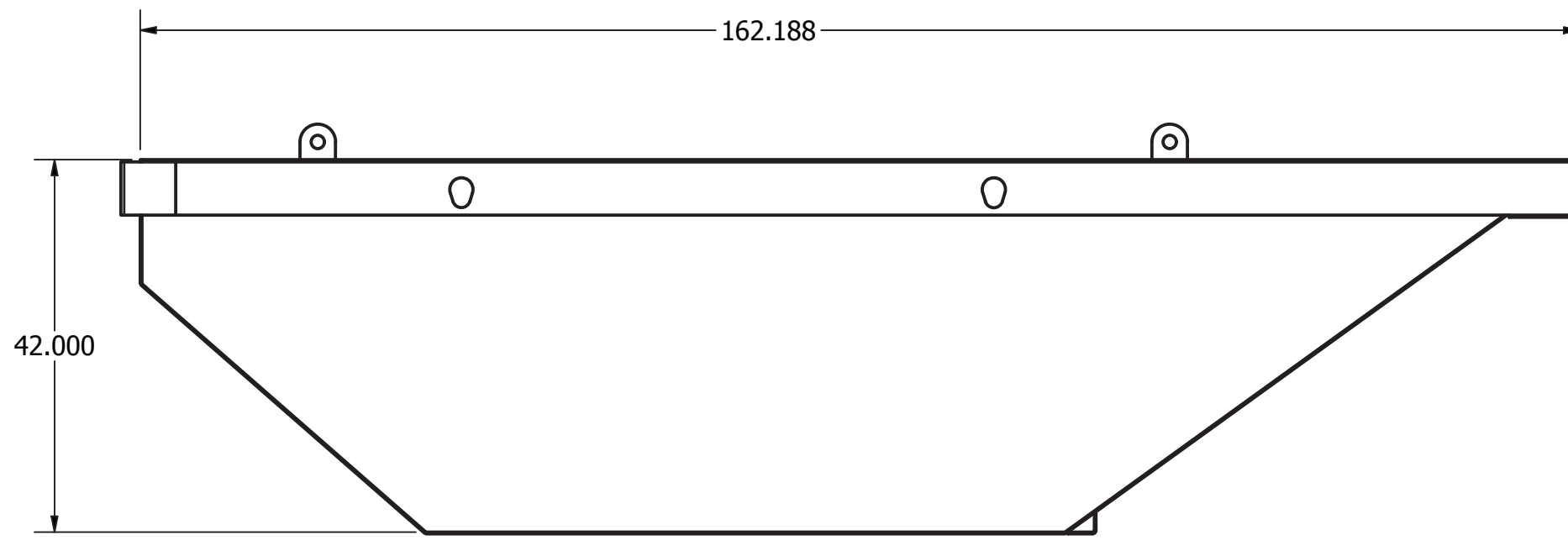
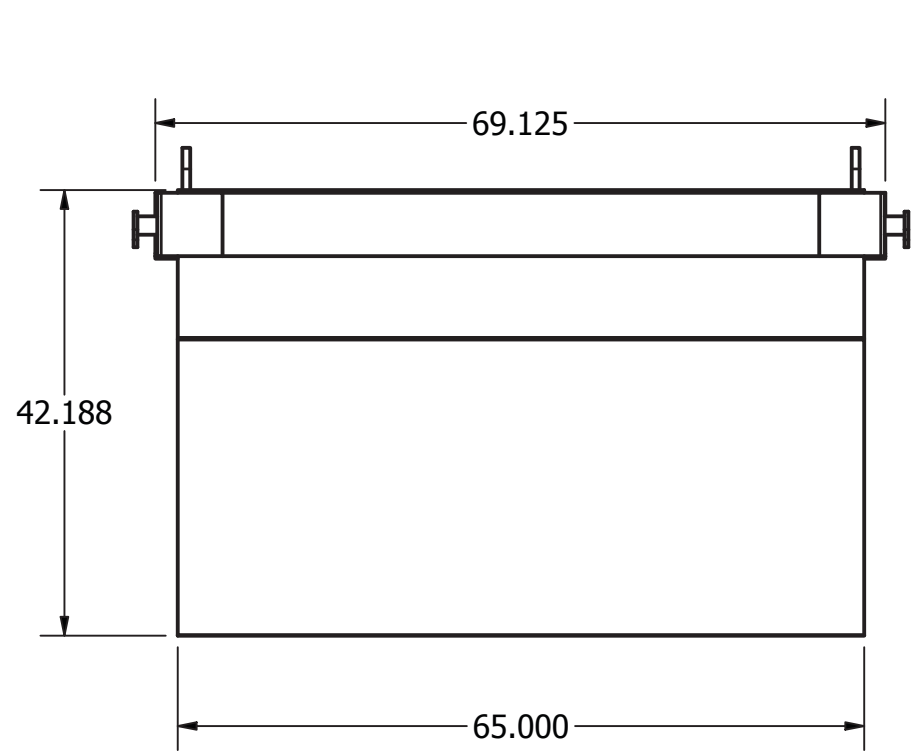
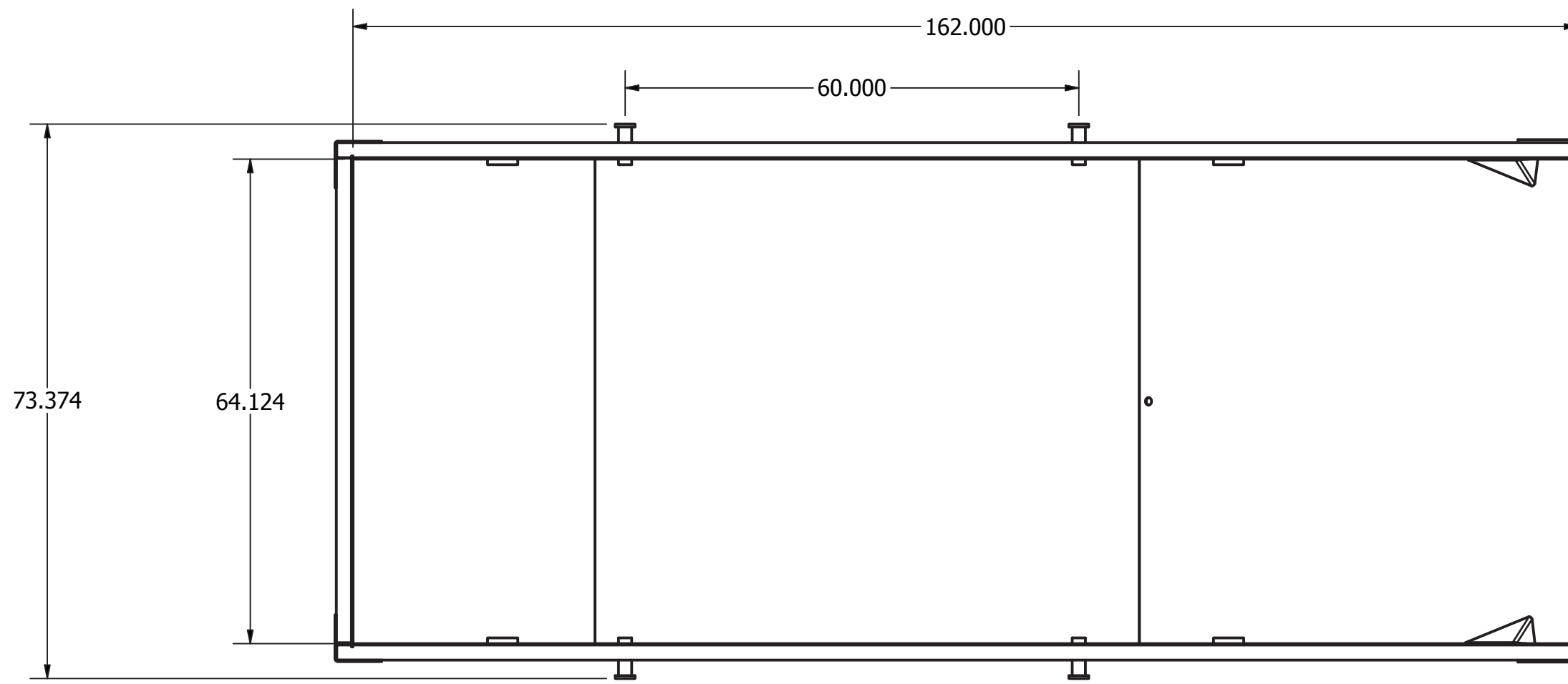


PARTS LIST						
ITEM	QTY	PART NUMBER	DESCRIPTION	MATERIAL	LENGTH	WIDTH
1	3	Frame 5		ANG 1000x1000x125	23.188 in	
2	6	Frame 6		ANG 1000x1000x125	65.000 in	
3	3	Roof Sheet 1		EXP 0500-13 FL	67.000 in	48.375 in
4	1	Roof Sheet 3		EXP 0500-13 FL	67.000 in	24.000 in
5	1	Frame 3		HSS 1000x1000x125	65.000 in	
6	2	Frame 1		HSS 1250x1250x125	143.563 in	
7	1	Frame 2		HSS 1250x1250x125	67.500 in	
8	2	Frame 4		HSS 1250x1250x125	24.250 in	
9	5	Lid Guide		PLA 0125	6.000 in	2.960 in
10	1	Chain Holder S		PLA 0188	2.750 in	2.000 in
11	1	Fork Plate		PLA 0250	52.000 in	5.500 in
12	2	Chain .375in (6L)		Purchase (STL)	8.250 in	



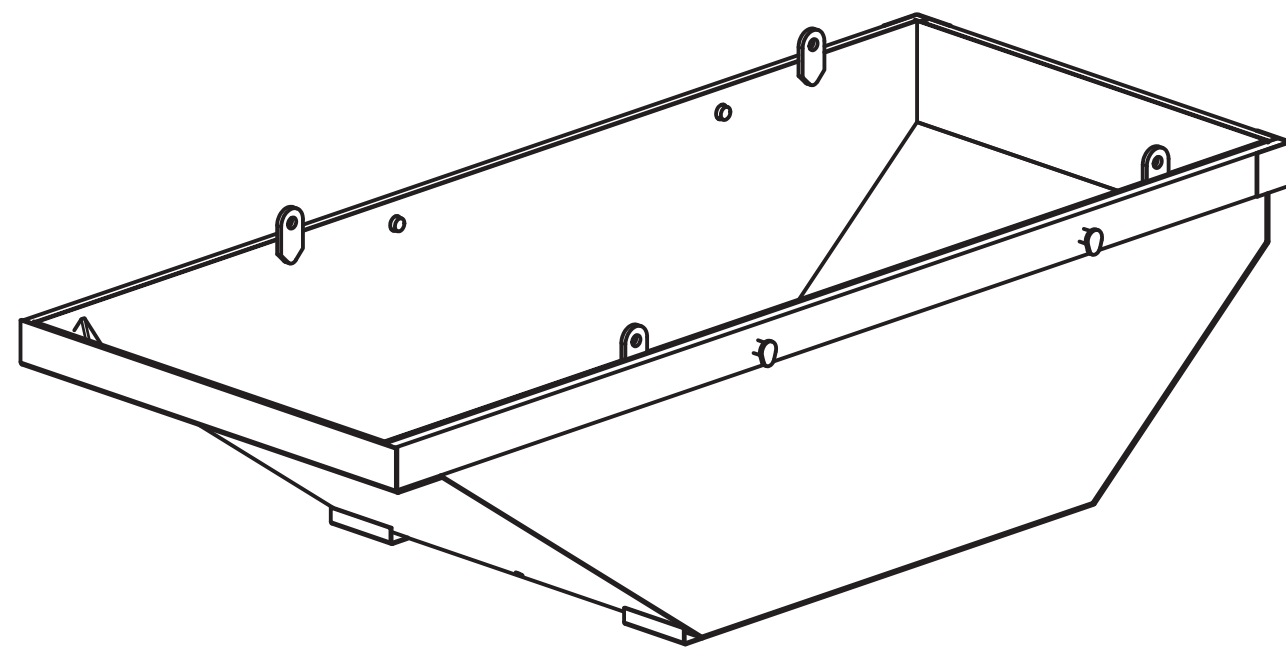


-ALL 3/16" PLATE  
-ALL 6" CHANNEL

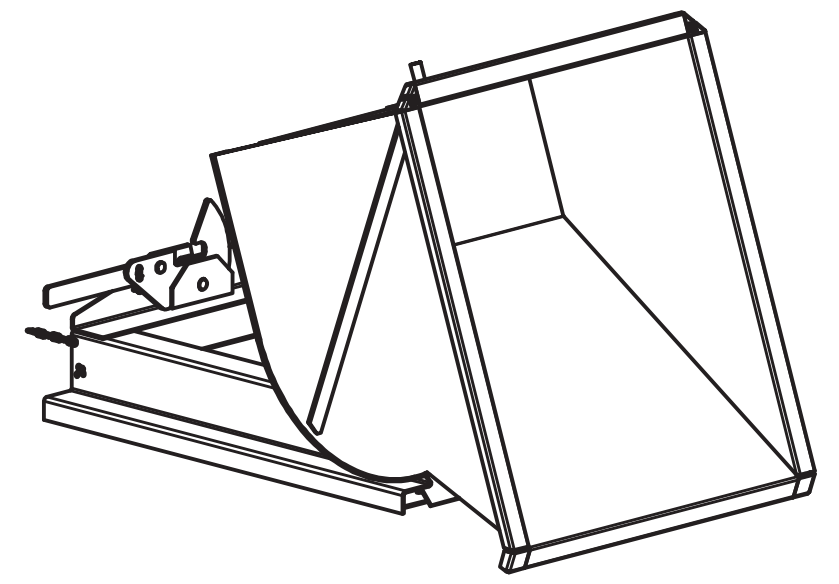
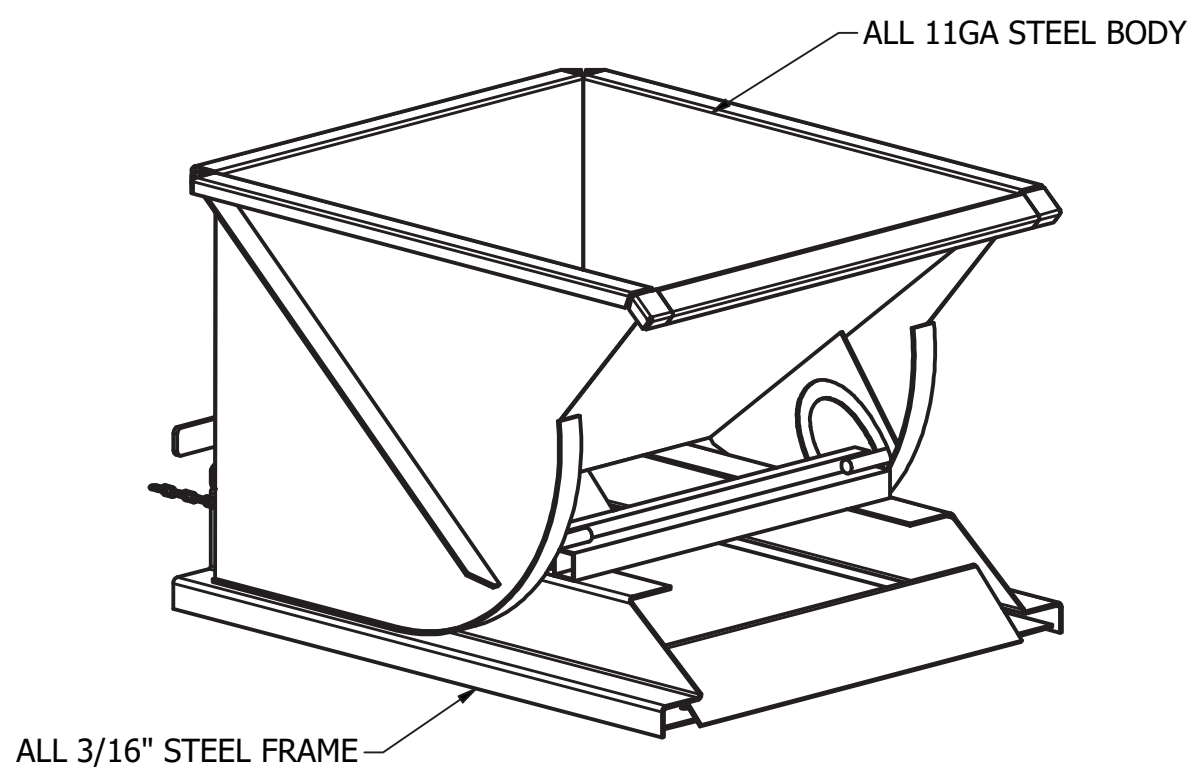
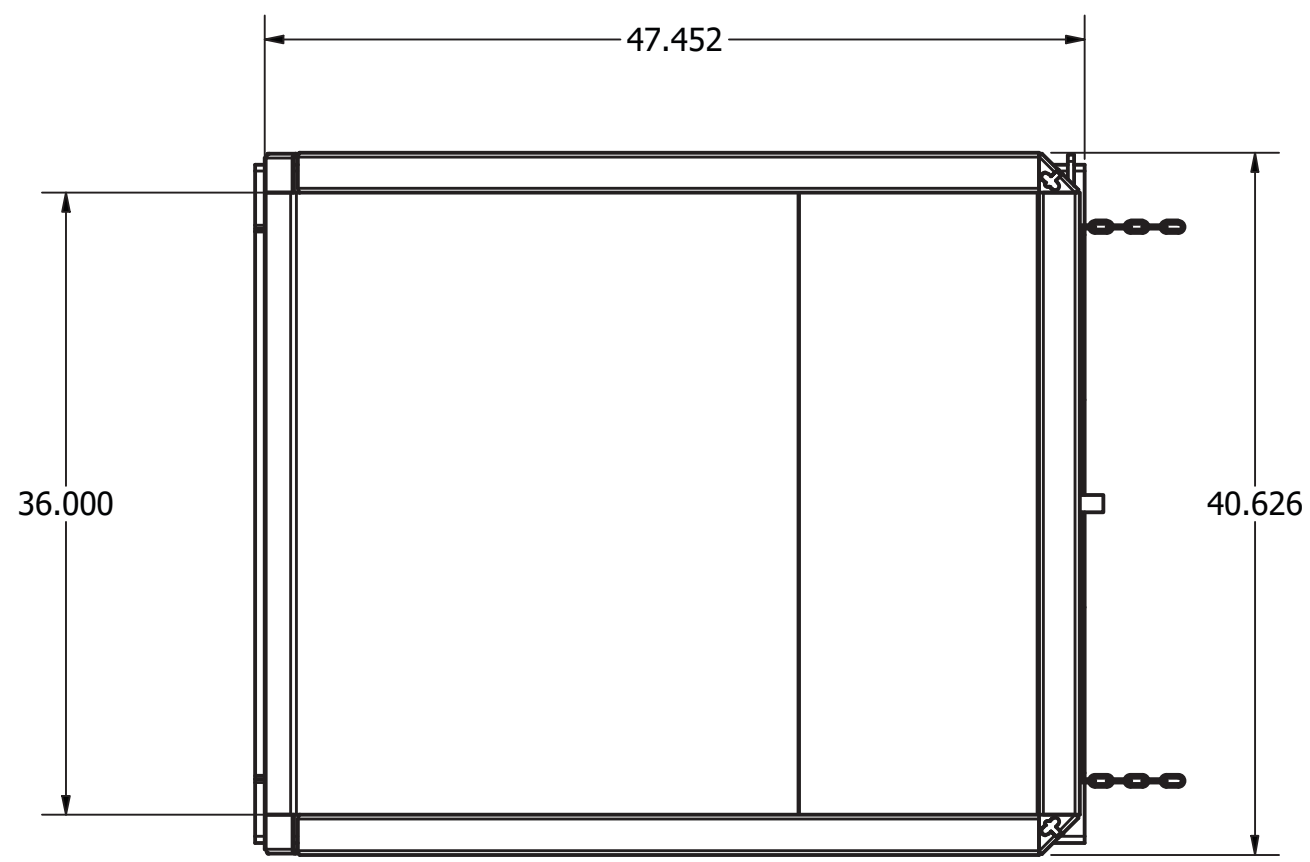


LU-8Y-STD  
VIEW1

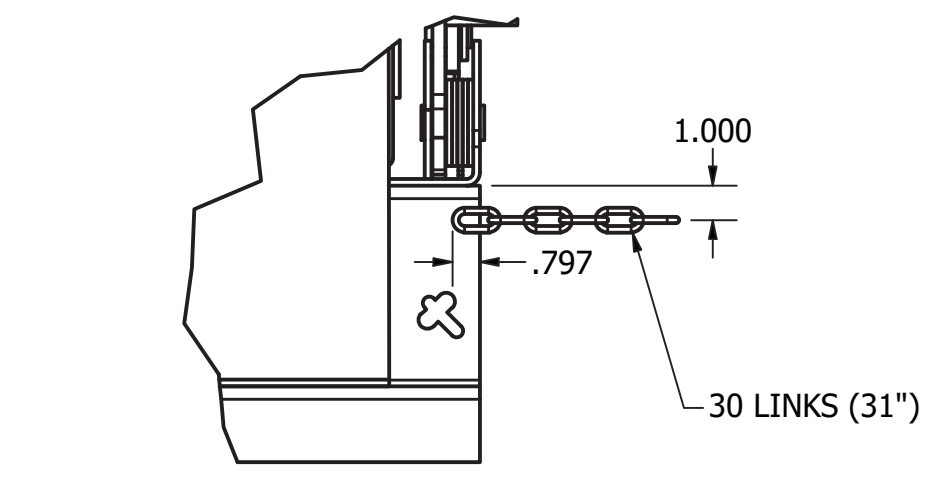
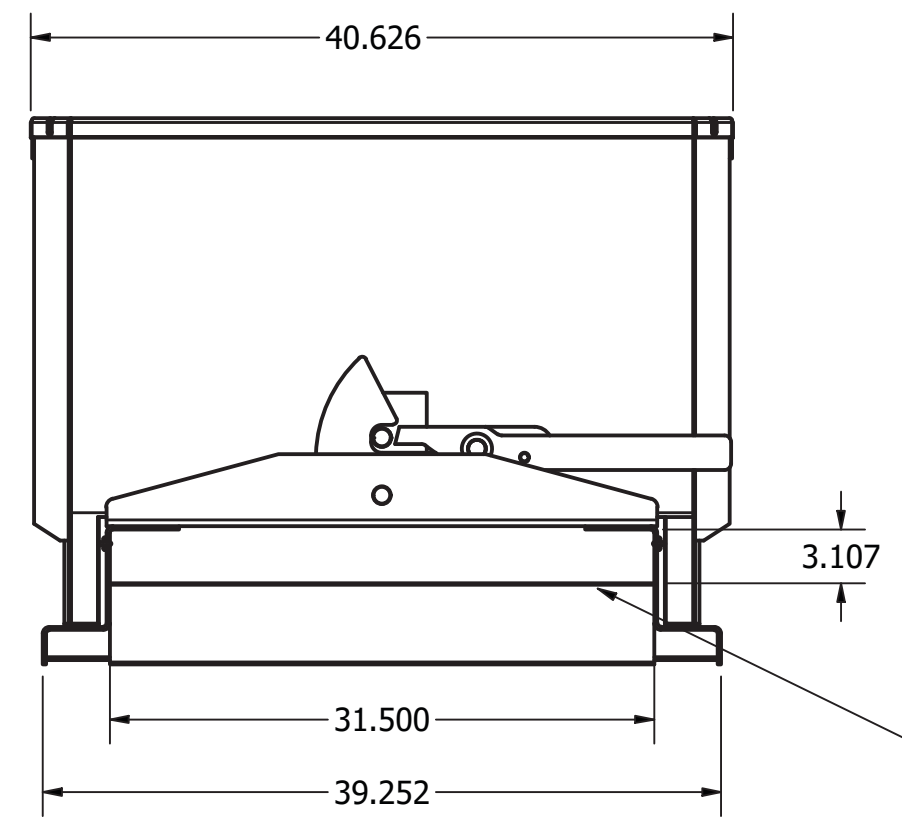
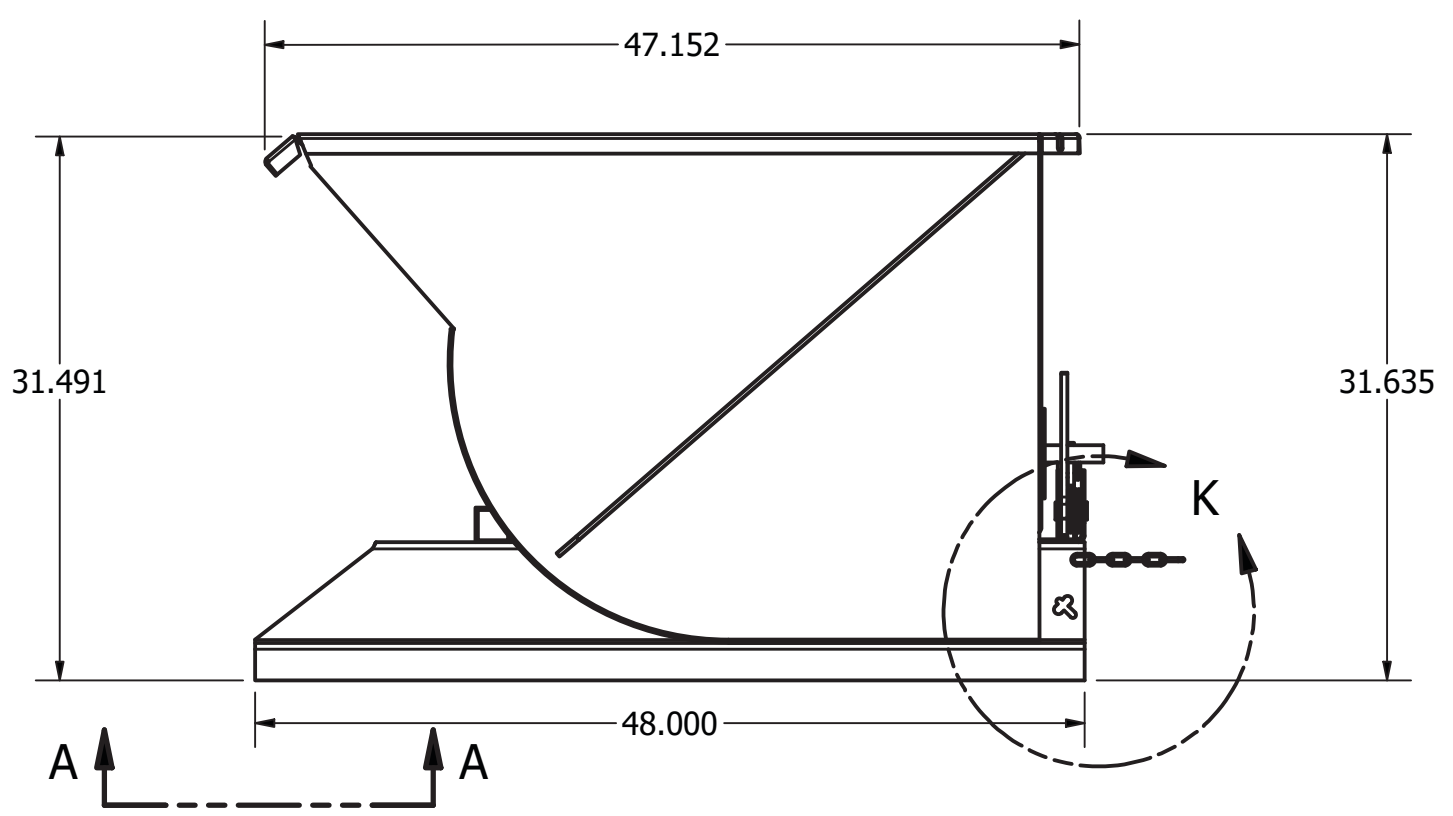
3/16" SHEET WALLS AND FLOOR



**INLAND STEEL  
PRODUCTS**

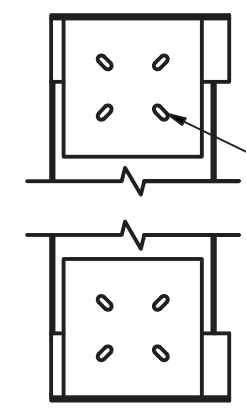


SD-0.50-STD (00-Body)  
DUMPING POSITION



FORK OPENING  
3.125" HIGH

DETAIL K  
SCALE 0.18 : 1

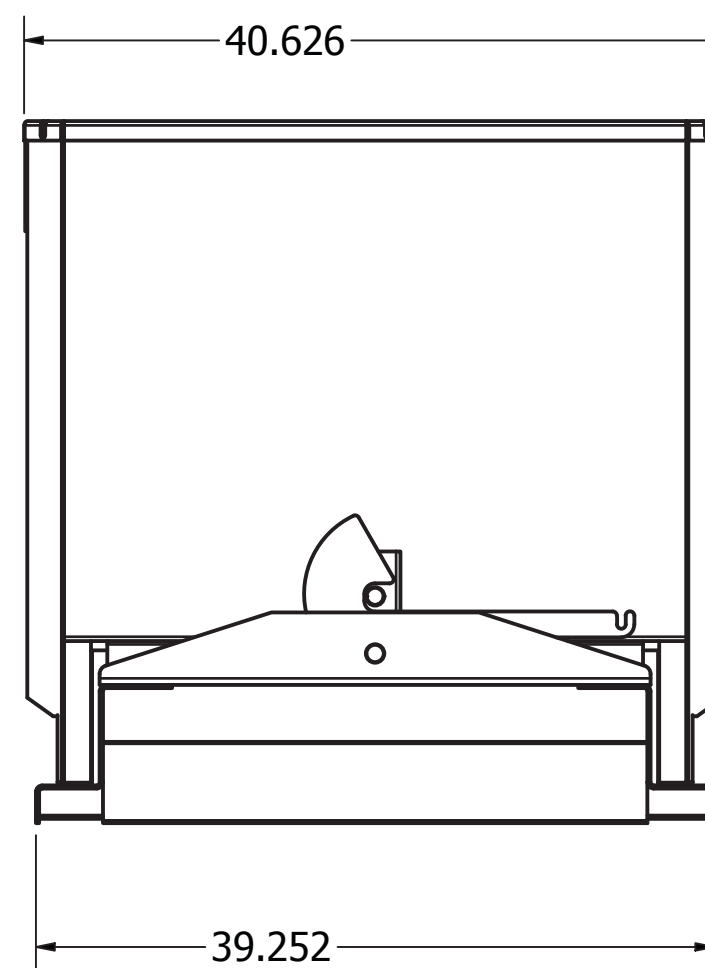
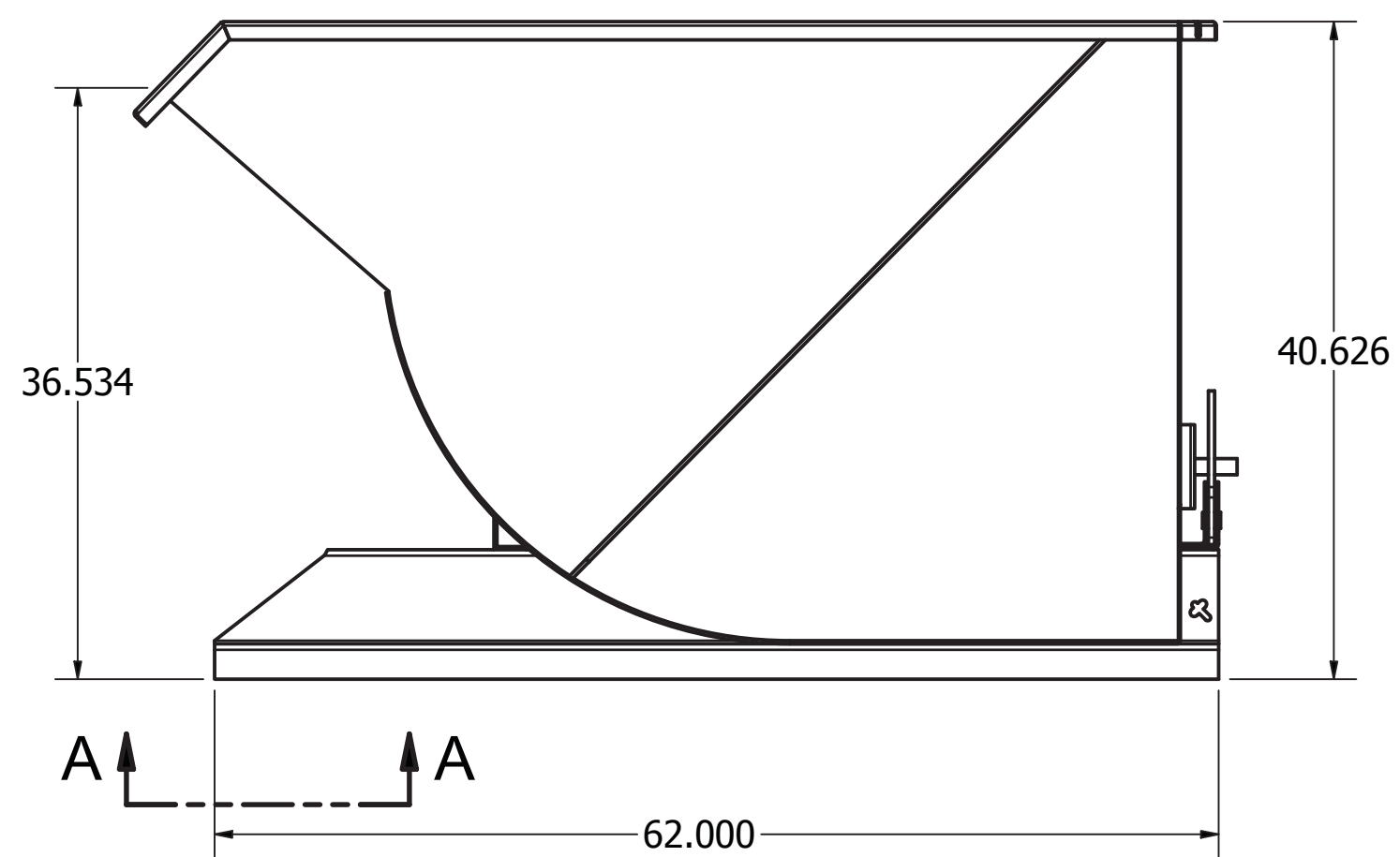
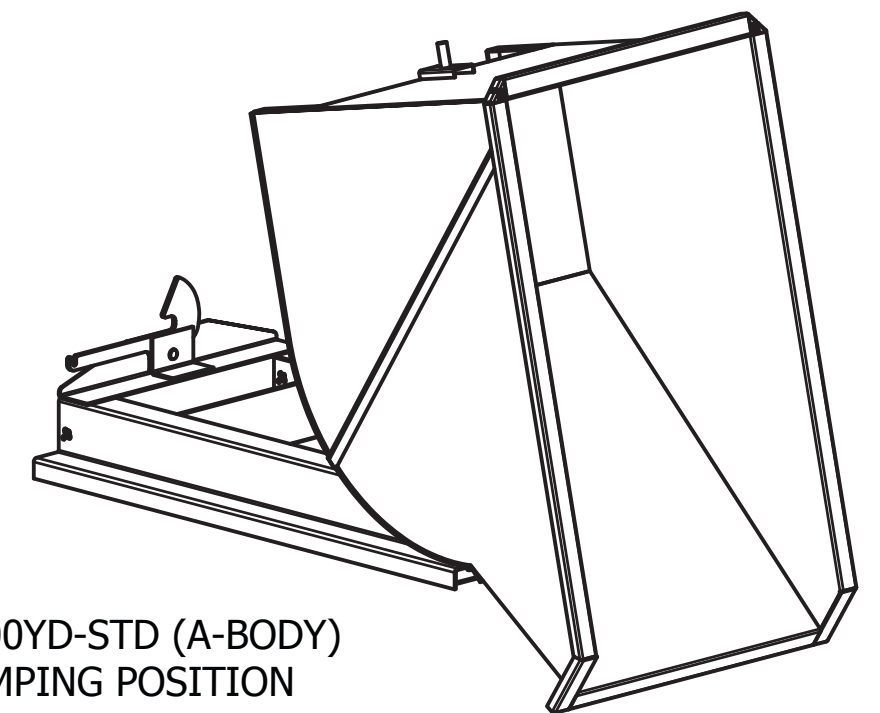
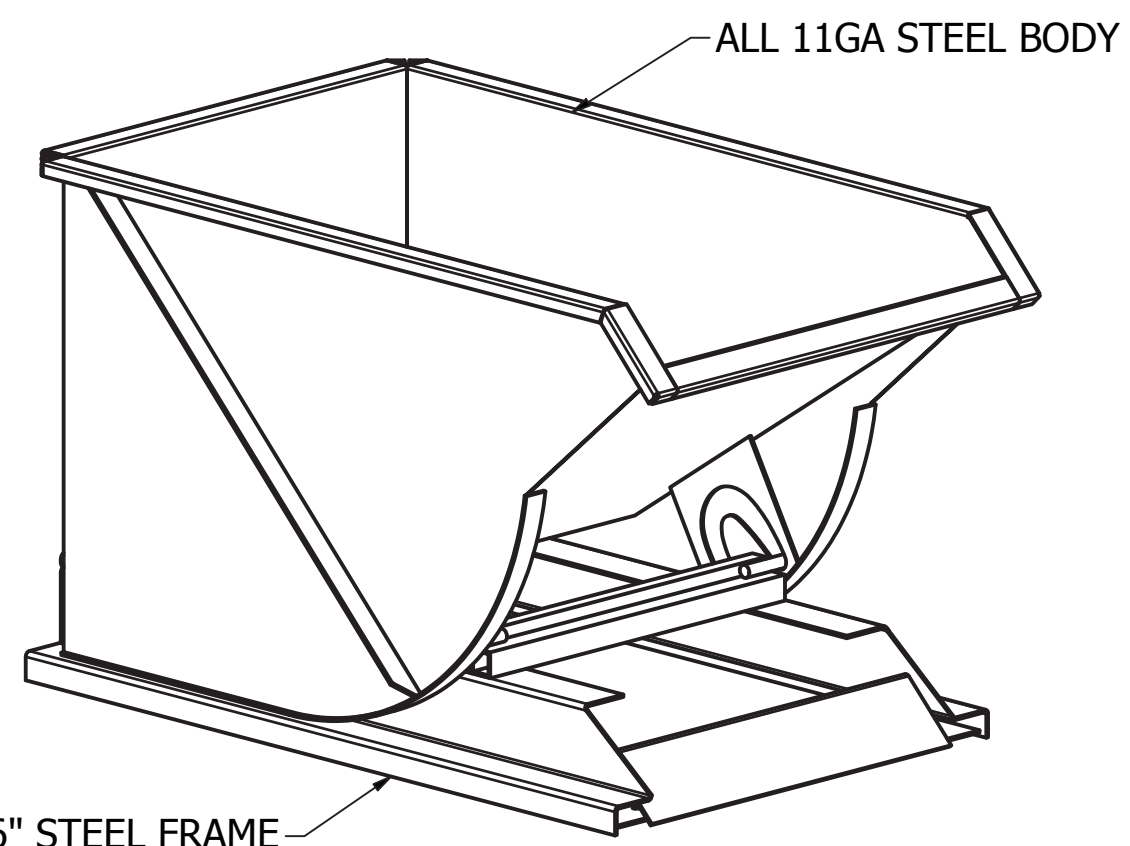
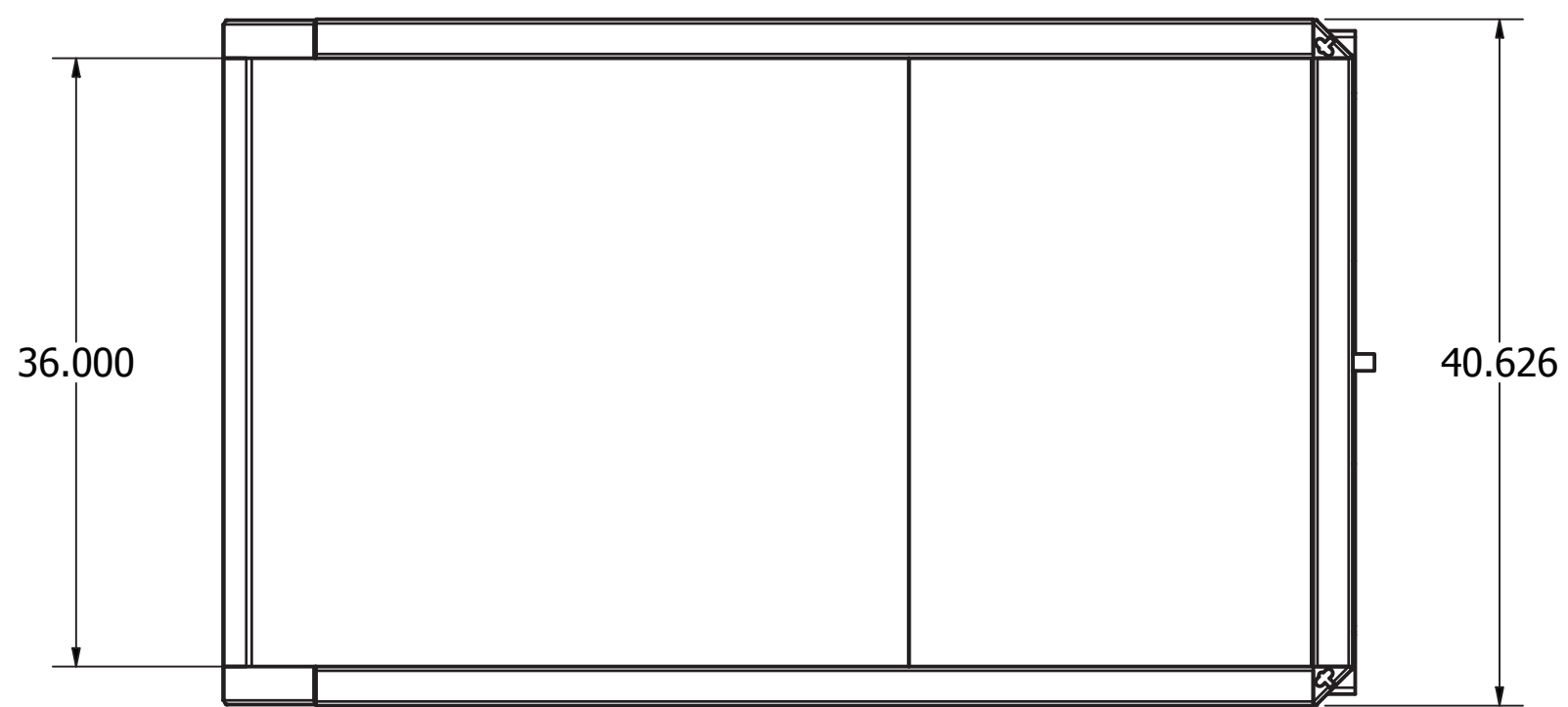


MOUNTING PLATE FOR  
CASTER WHEELS

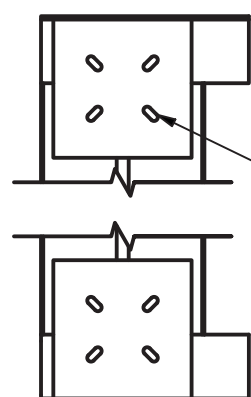
VIEW A-A  
SCALE .09



**INLAND STEEL  
PRODUCTS**



VIEW A-A  
SCALE .09

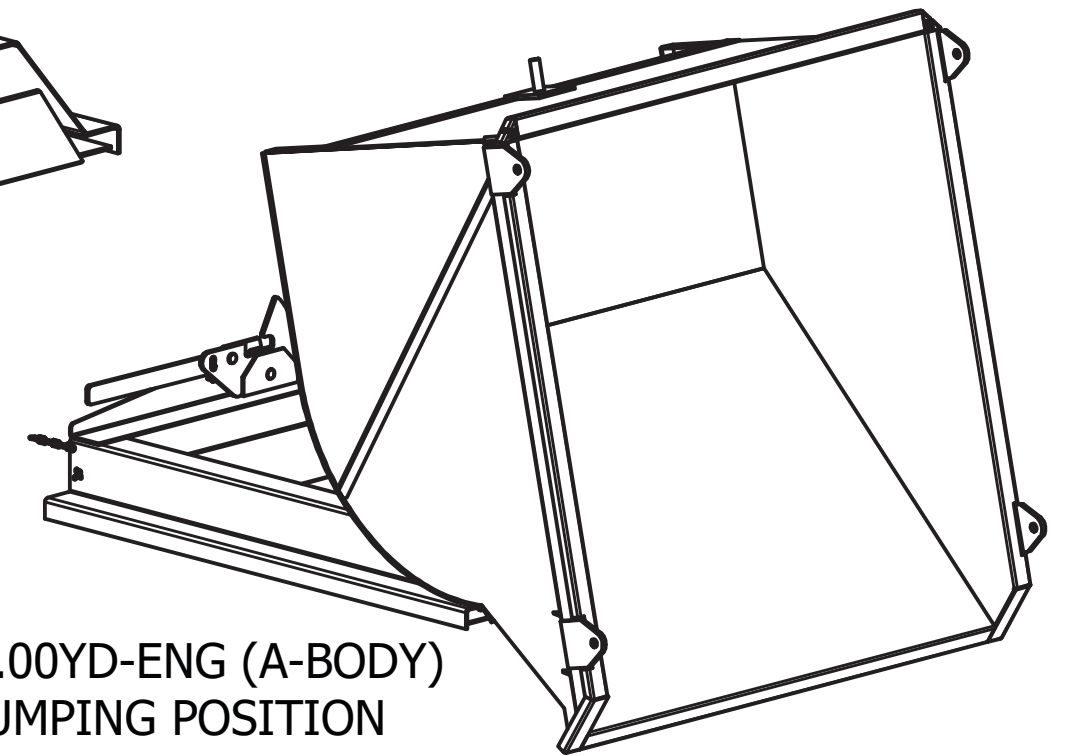
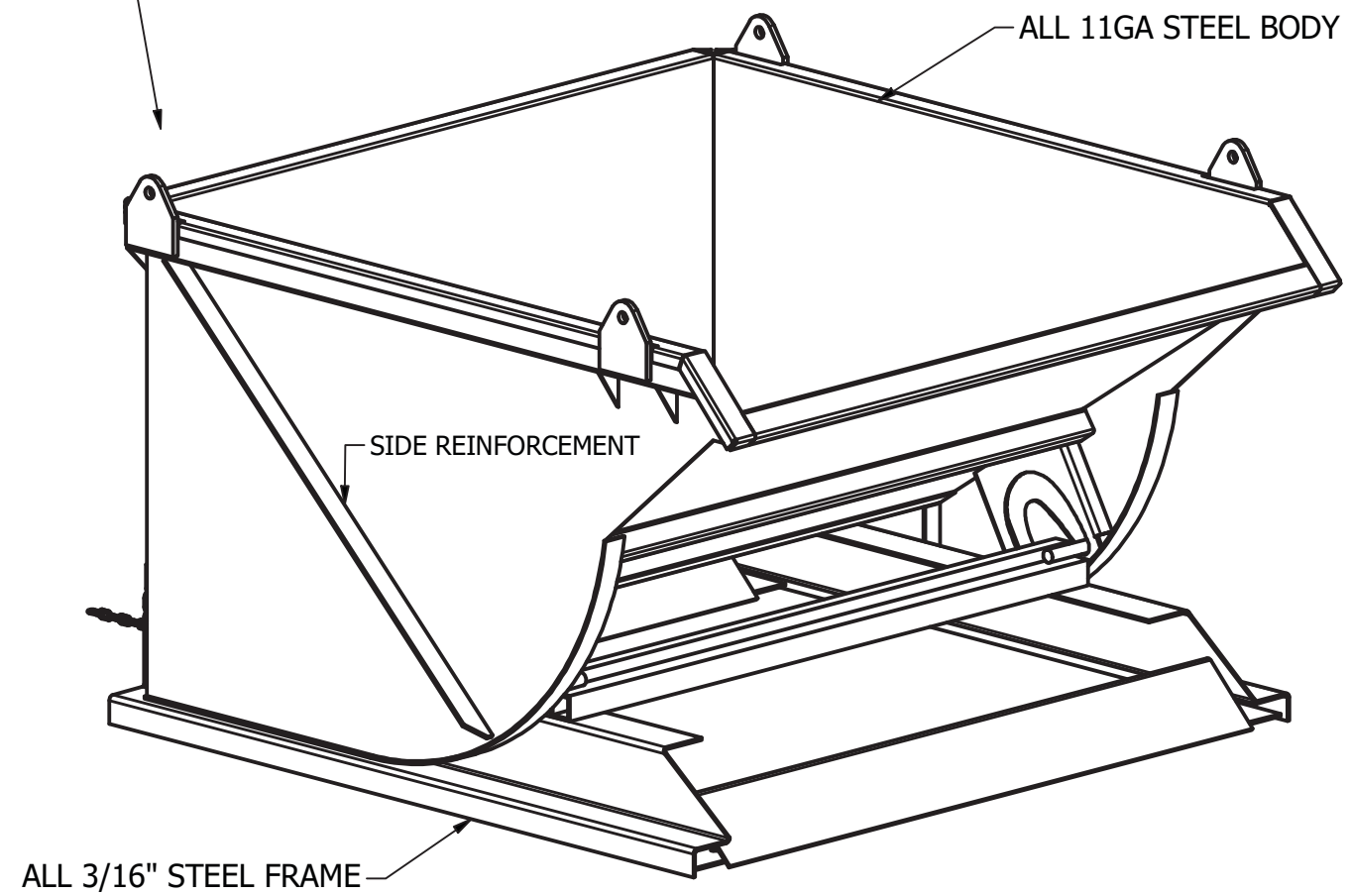
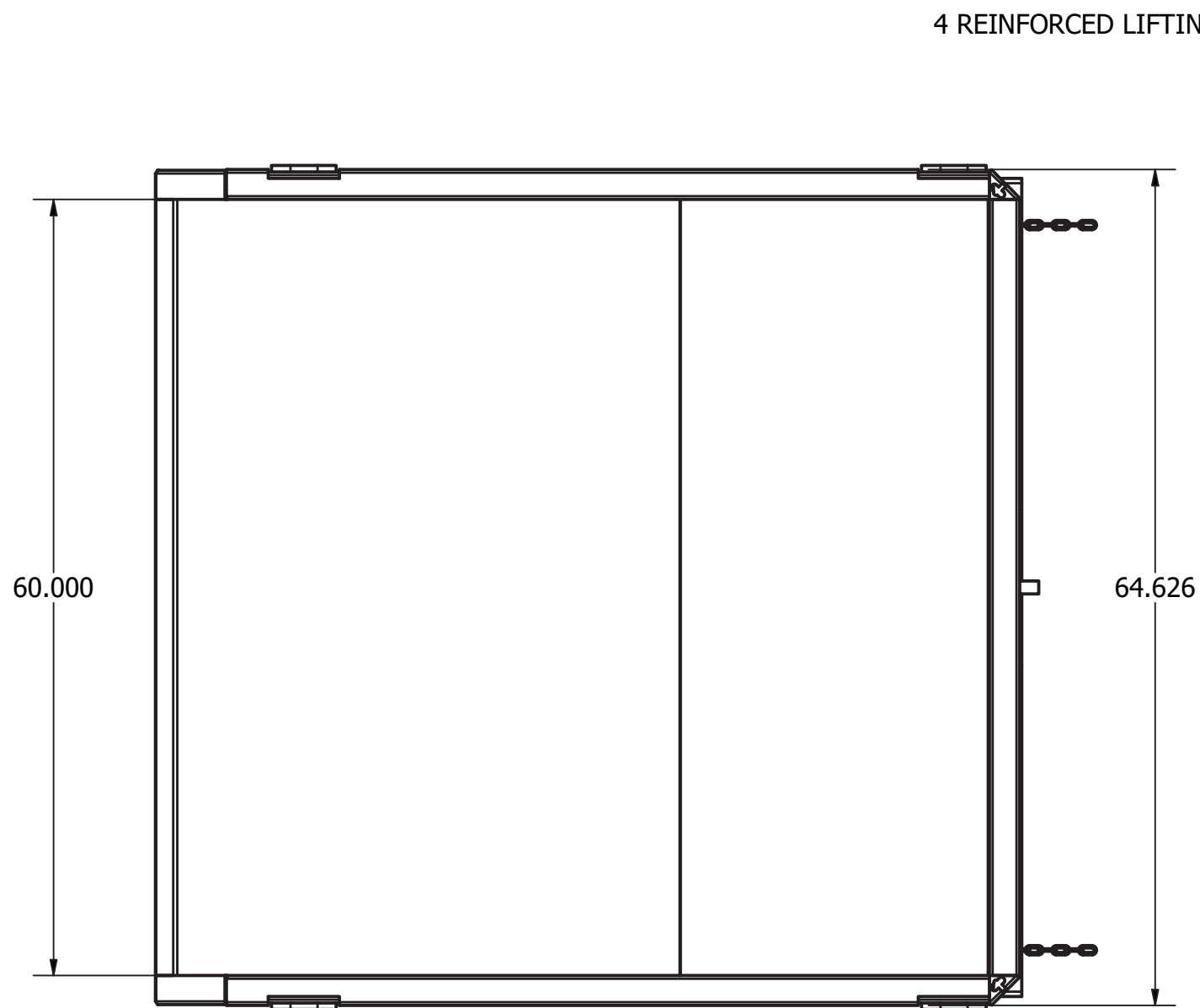


MOUNTING PLATE FOR  
CASTER WHEELS

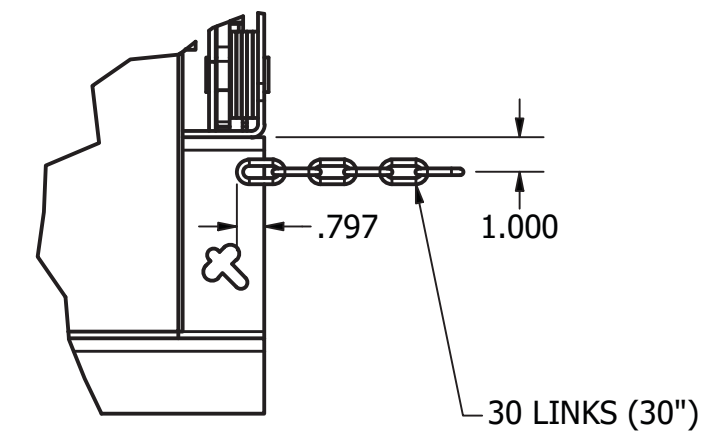
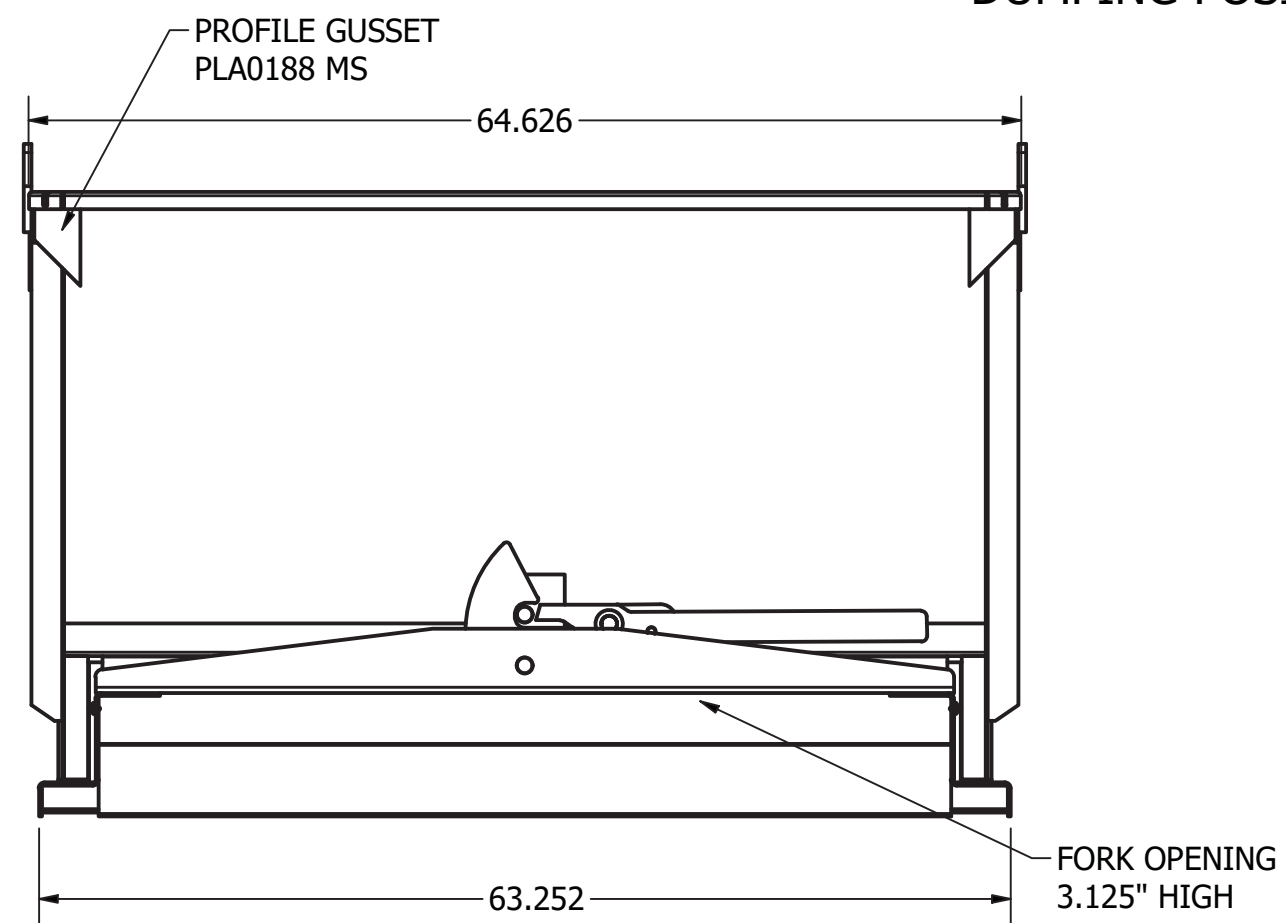
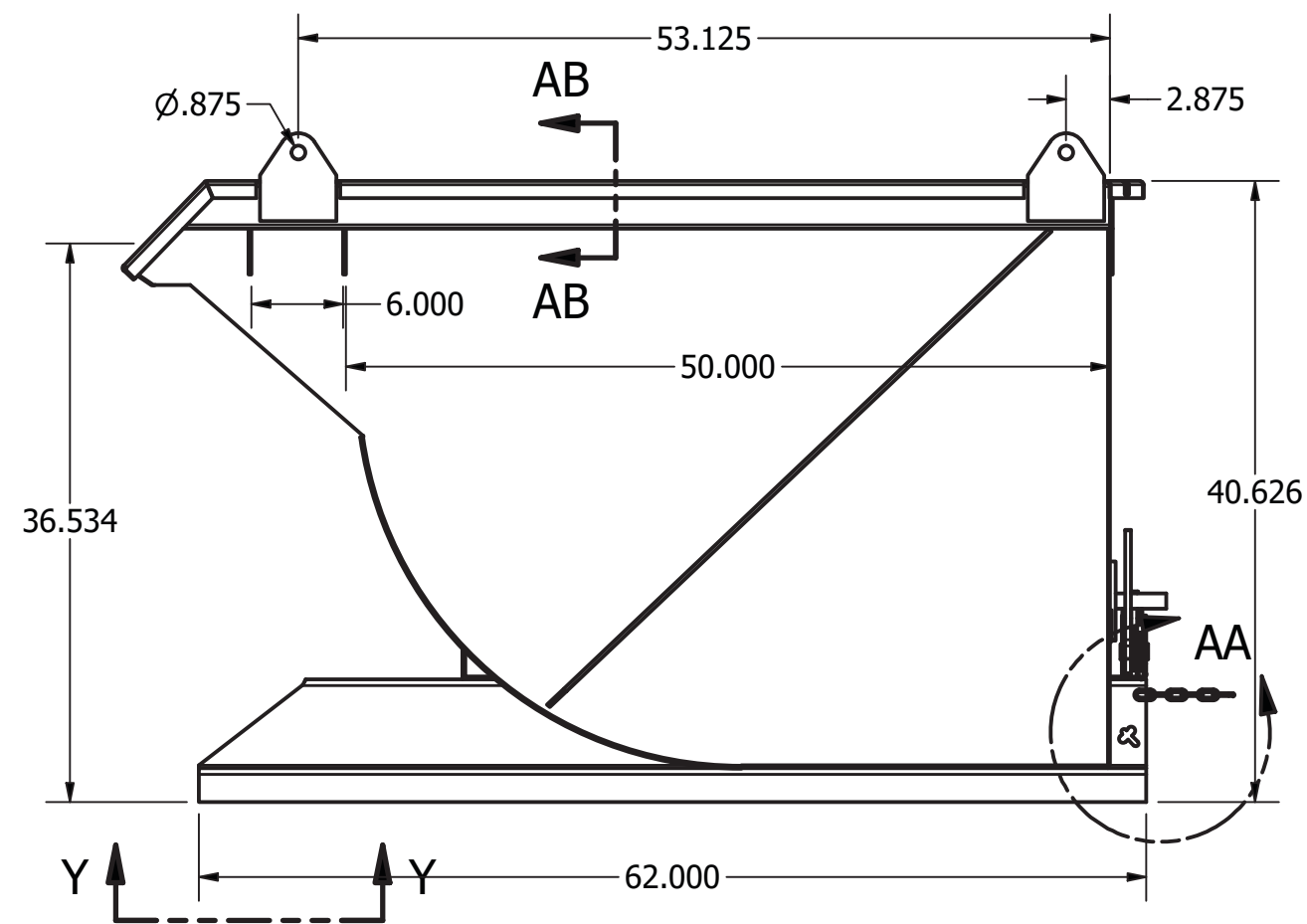
- NOT SHOWING FASTENING  
AND LOCKING CHAINS



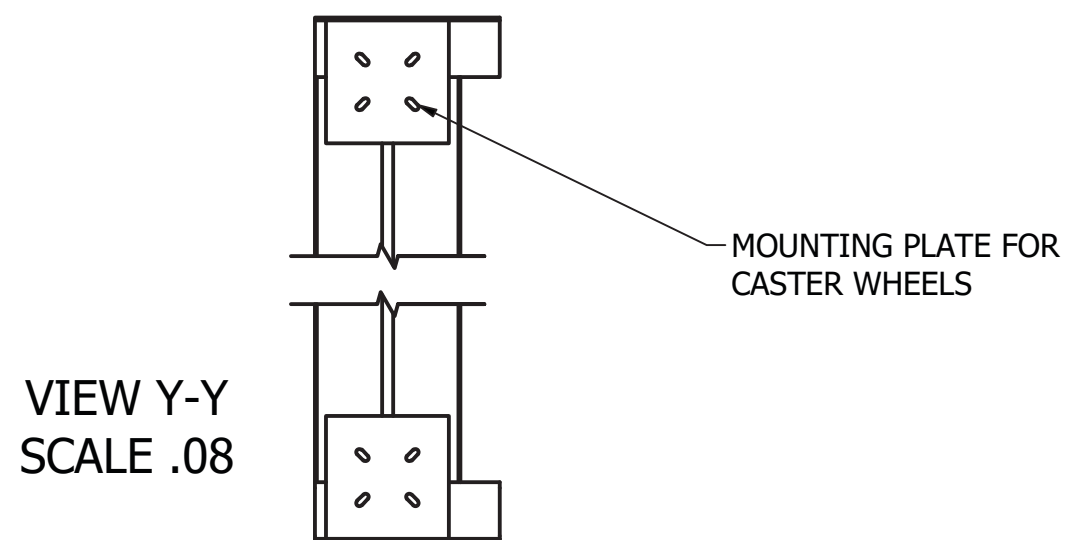
**INLAND STEEL  
PRODUCTS**



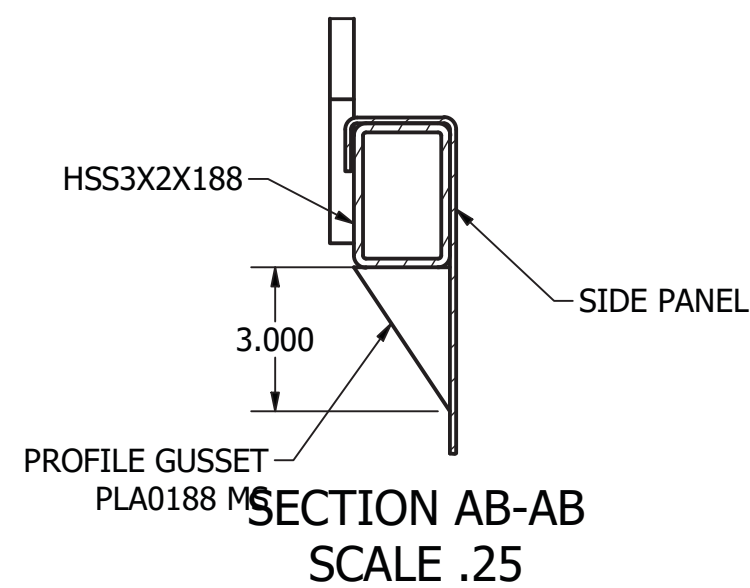
SD-2.00YD-ENG (A-BODY)  
DUMPING POSITION



DETAIL AA  
SCALE 0.18 : 1



VIEW Y-Y  
SCALE .08



SECTION AB-AB  
SCALE .25

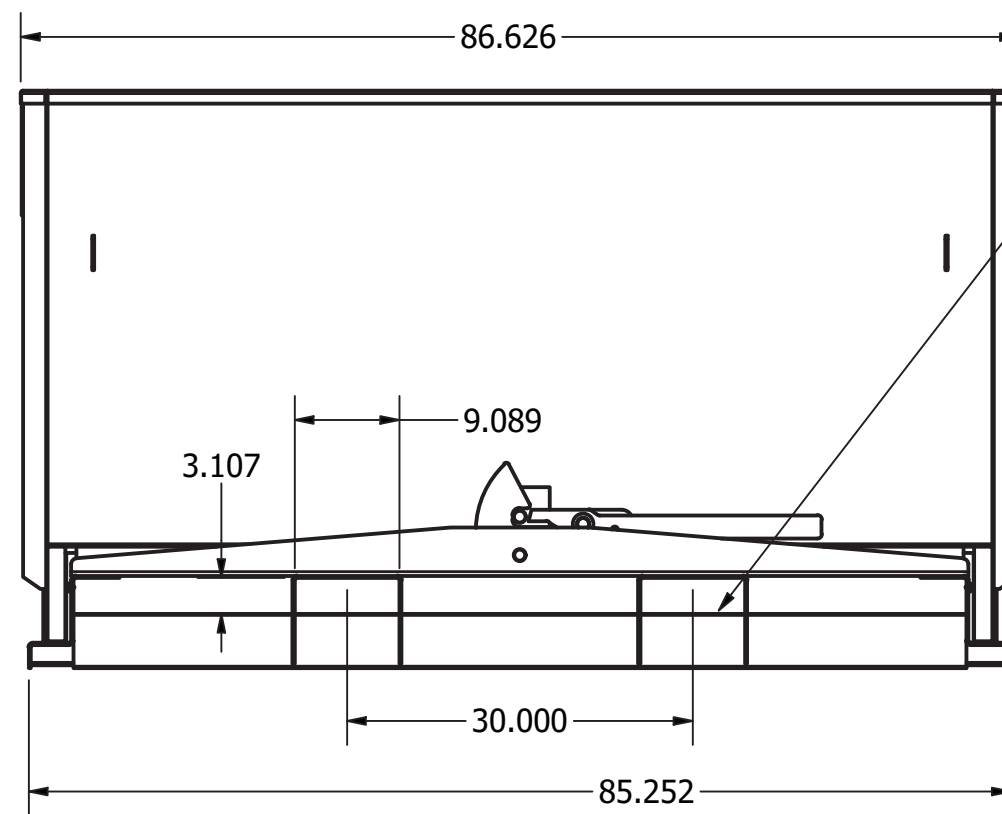
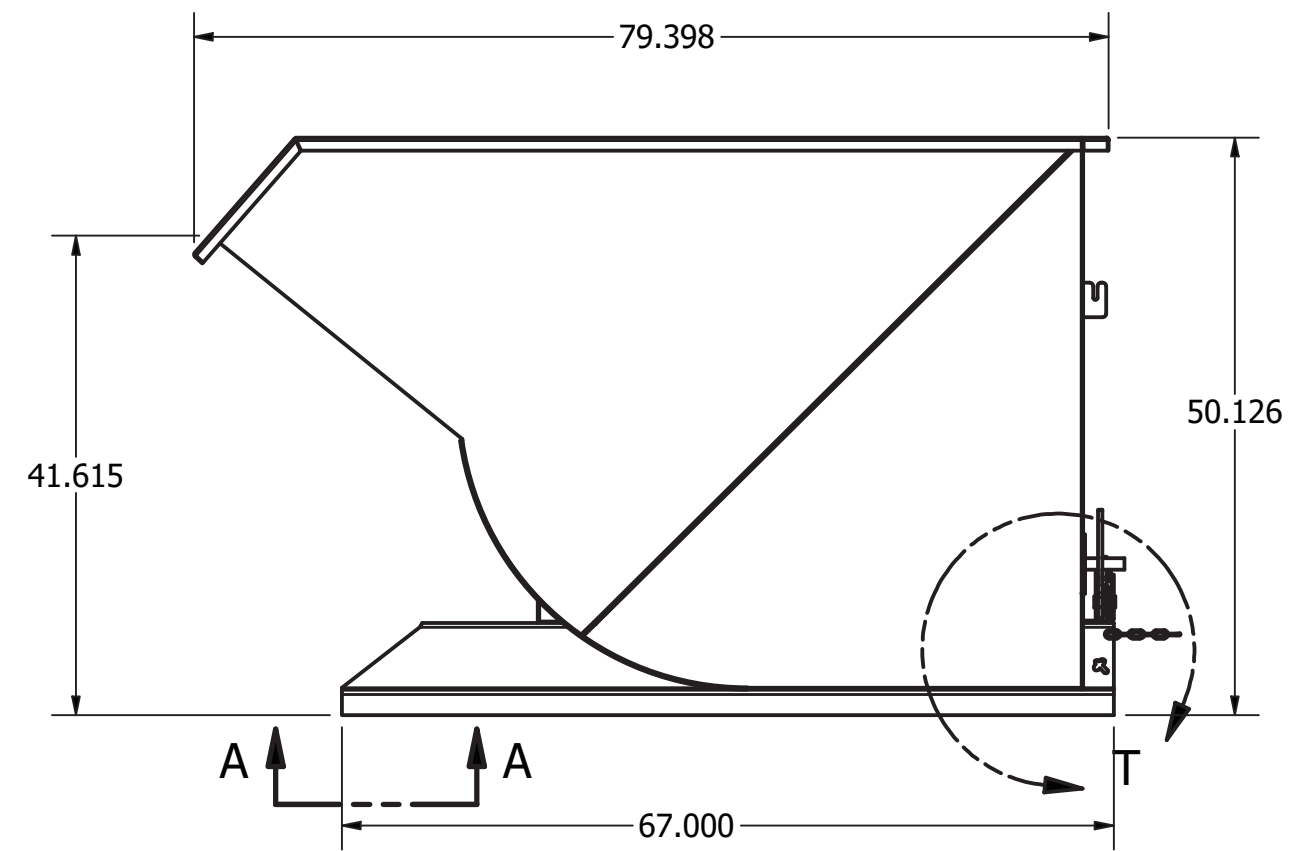
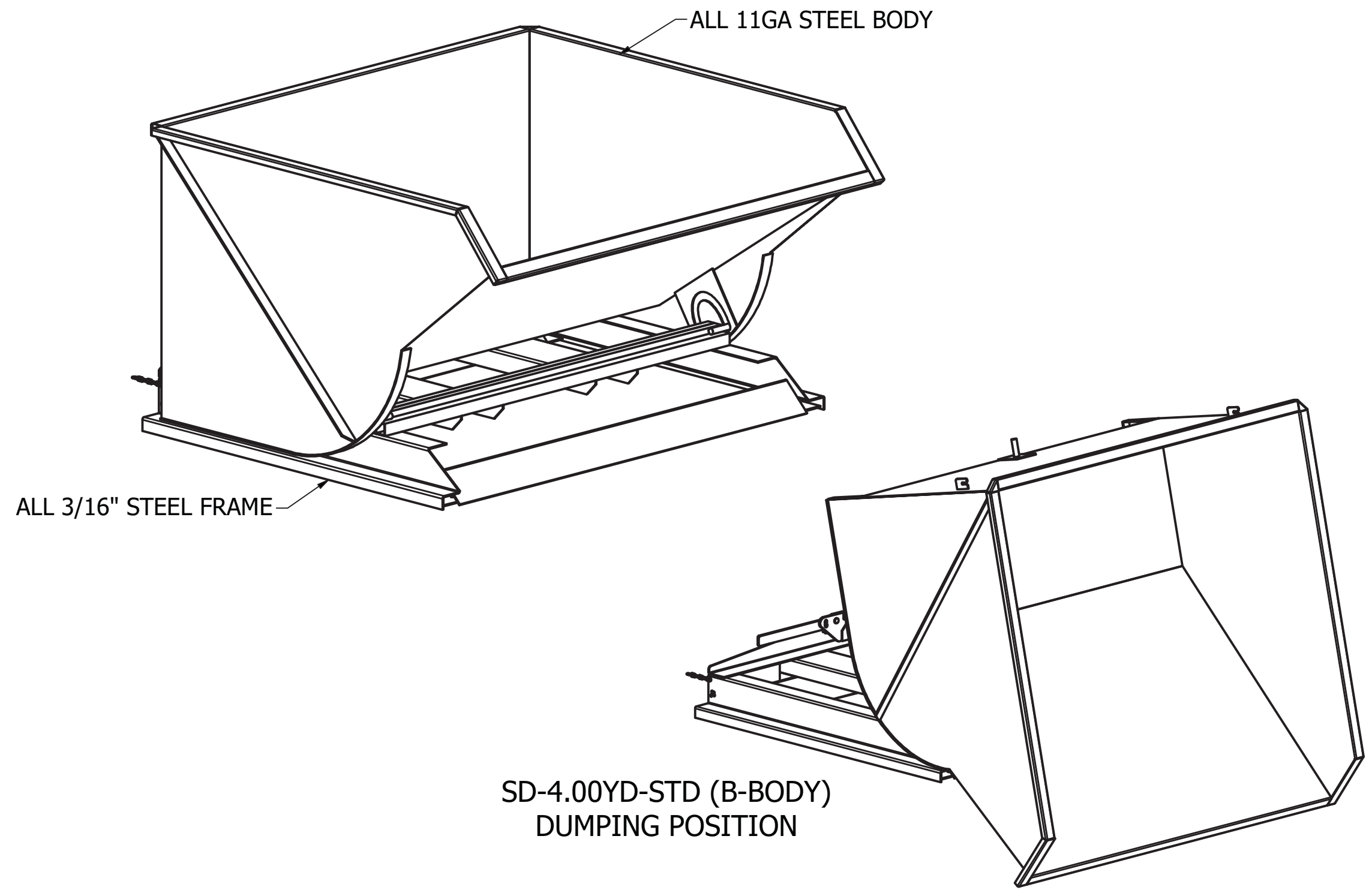
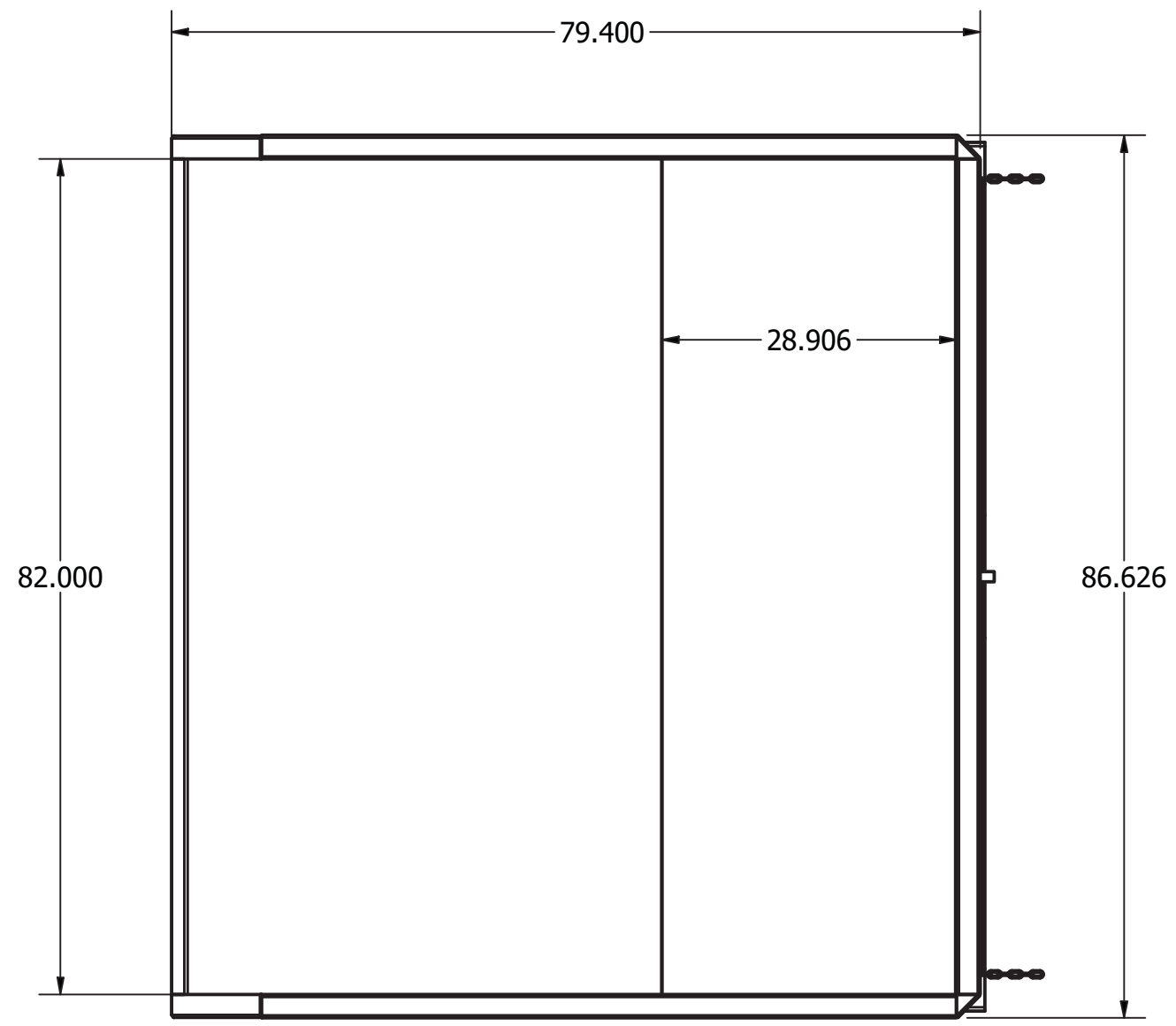
IMPORTANT NOTE:

- BIN WITH ADDED REINFORCEMENTS IS NO LONGER BALANCED FOR SELF-DUMPING AND SELF-RIGHTING
- BIN IS CURRENTLY ENGINEERED FOR 5000LBS AS PER LEE.

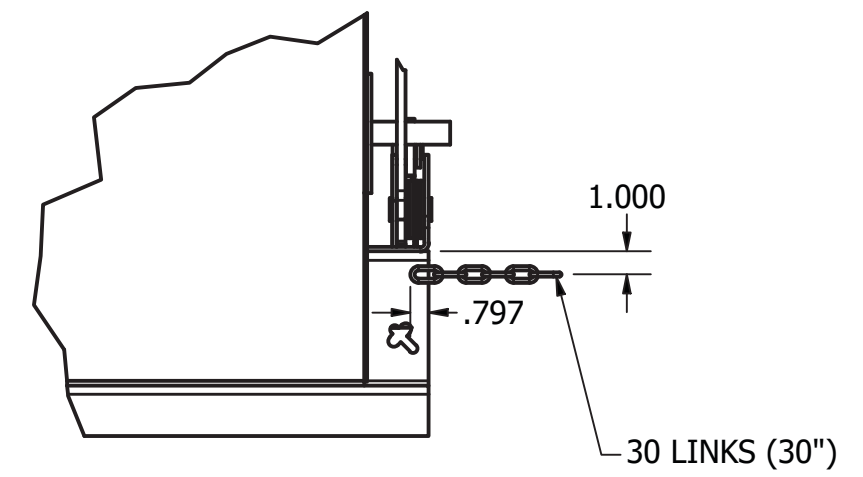


**INLAND STEEL  
PRODUCTS**

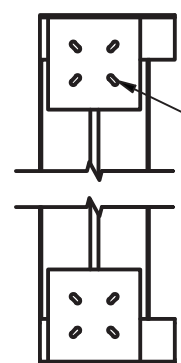




FORK POCKET



DETAIL T  
SCALE 0.12 : 1



MOUNTING PLATE FOR  
CASTER WHEELS

VIEW A-A  
SCALE .06



**INLAND STEEL  
PRODUCTS**