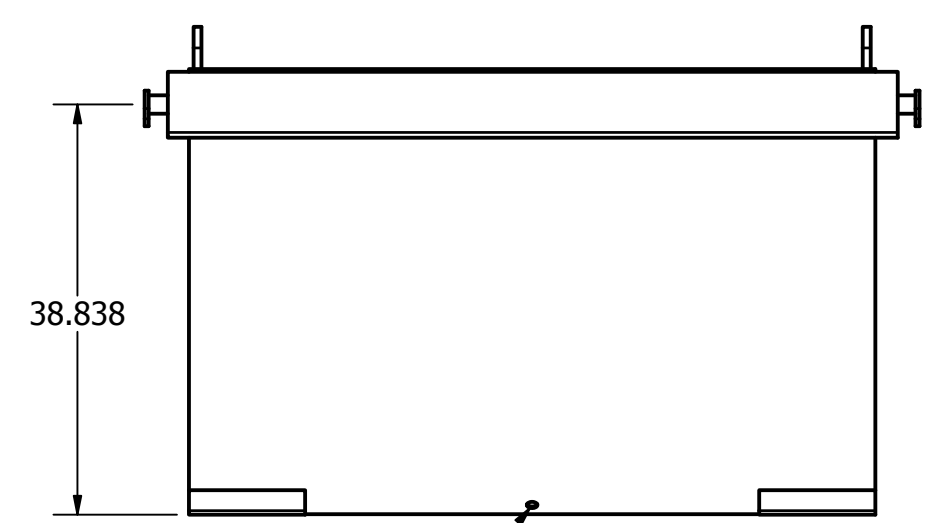
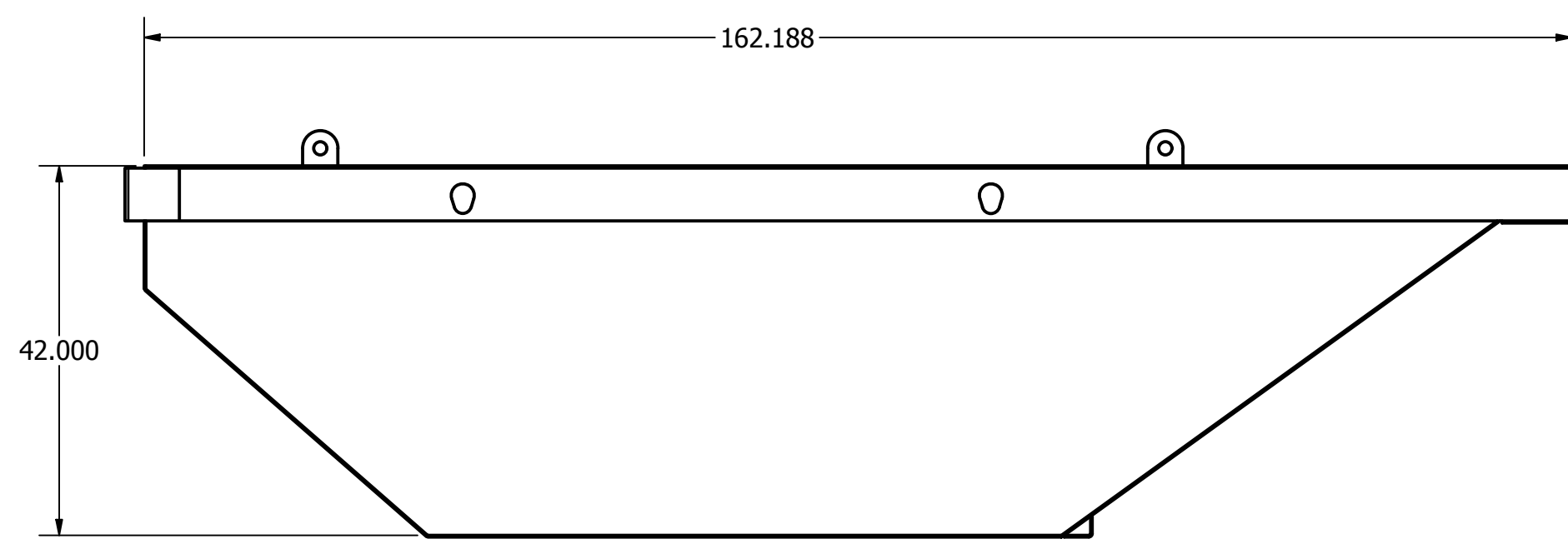
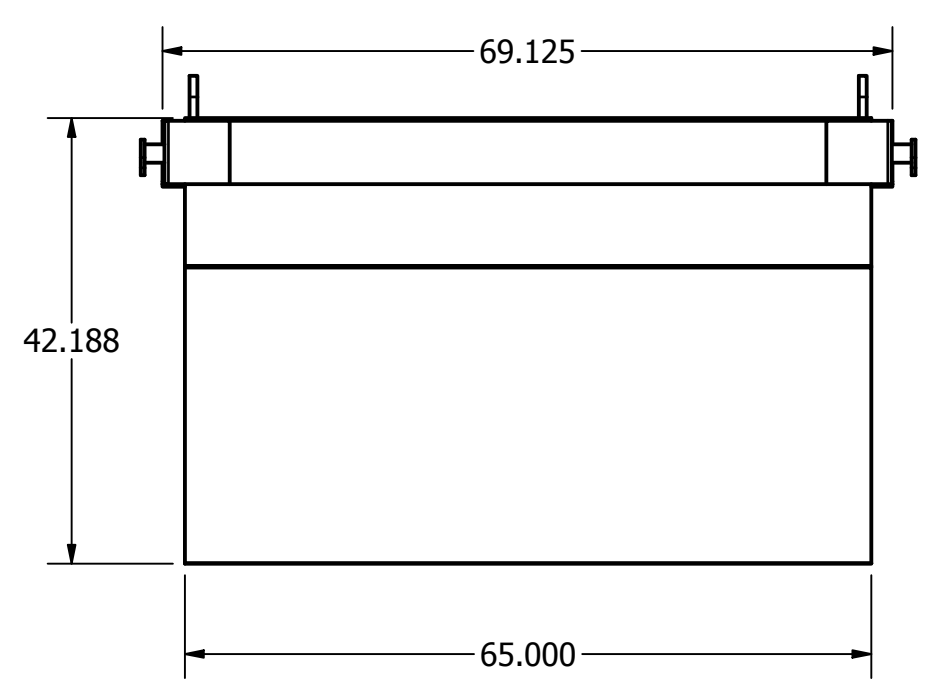
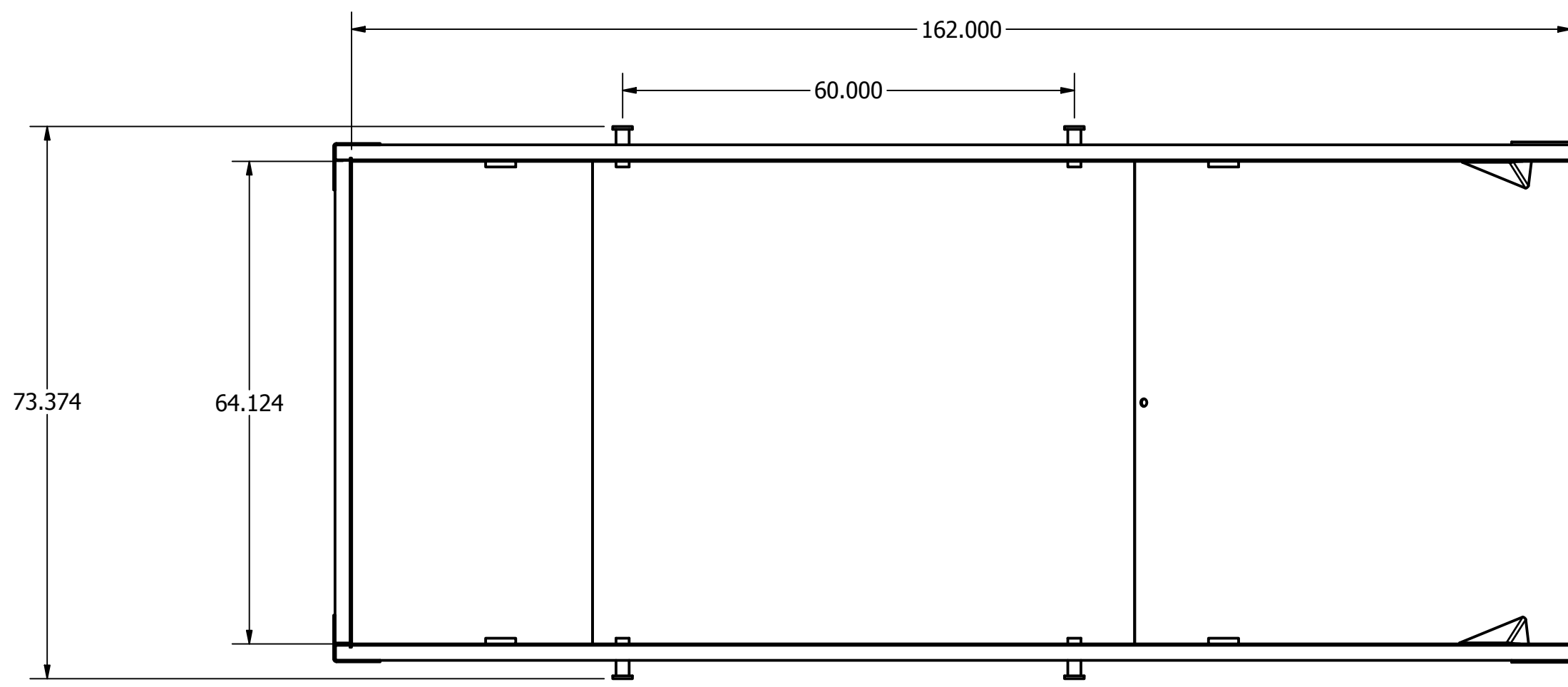
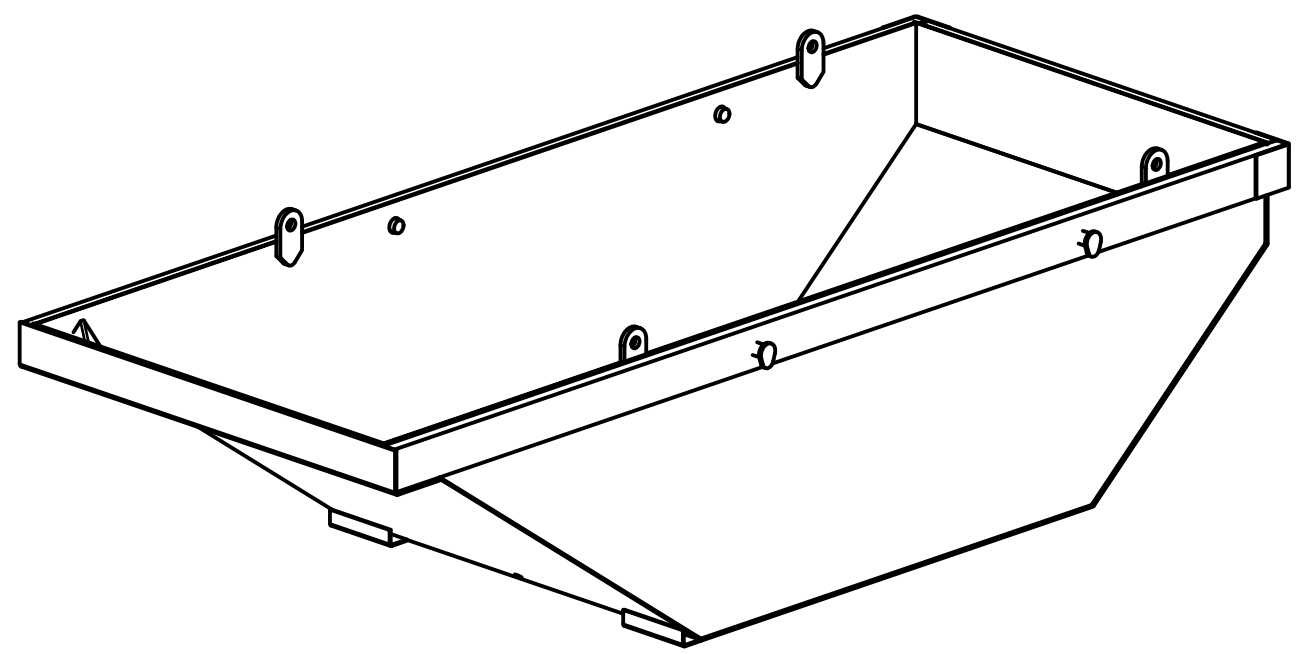


-ALL 3/16" PLATE
-ALL 6" CHANNEL



LU-8Y-STD
VIEW1

3/16" SHEET WALLS AND FLOOR



FUSION WEST MANUFACTURING			
THIS DRAWING IS THE PROPERTY OF FUSION WEST MANUFACTURING AND CAN NOT BE USED OR COPIED IN WHOLE OR PART WITHOUT PRIOR WRITTEN CONSENT.		Part Name	
		LUG-8Y-ILS-S	
Part By GWK		Material	
		Sub Assembly	
Part By GWK	Date 03/15/19	Part Description	Size C
Print By GWK	Date 04/04/19	Drawing Name SS-LU-8Y-STD.idw	Sheet 1 of 1
N:\Inland Luggers (Standard)\TGs Luggers\Lugger 8yd Inland\SS-LU-8Y-STD.idw			